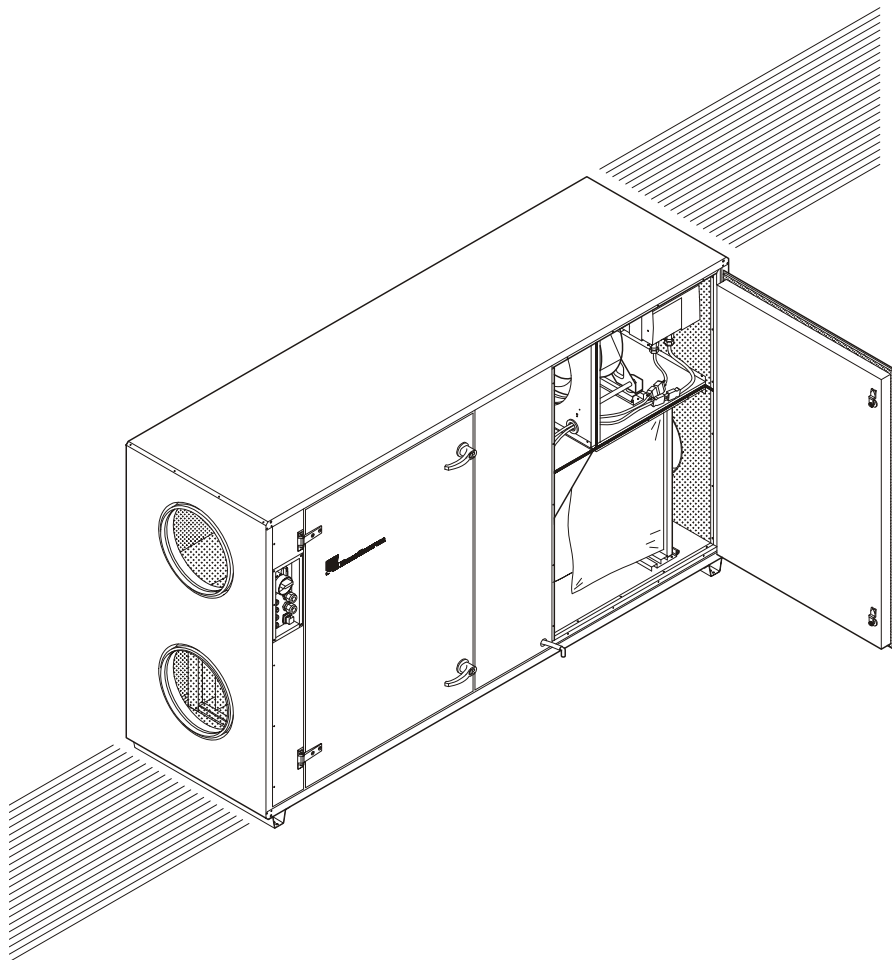


Vent C 2/4

Wiring Diagrams



No. 971771 • rev. 2.3 • 17.09.2008



Der tages forbehold for trykfejl og ændringer
Dantherm can accept no responsibility for possible errors and changes
Irrtümer und Änderungen vorbehalten
Dantherm n'assume aucune responsabilité pour erreurs et modifications éventuelles

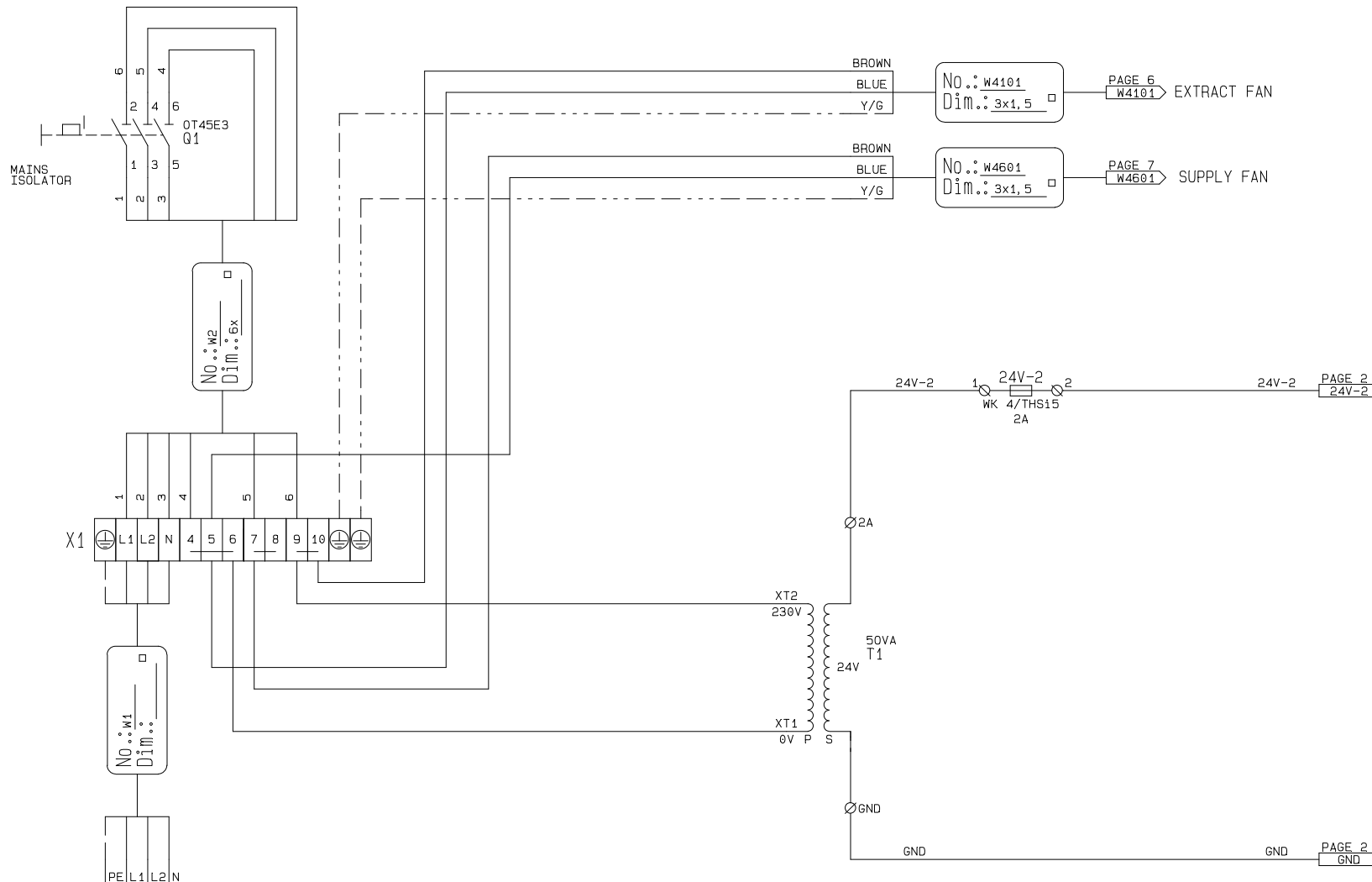
INDEX / INDHOLDSFORTEGNELSE / INHALTSVERZEICHNIS:

**1. INTERNAL CONNECTIONS IN THE UNIT / INTERNE FORBINDELSER I AGGREGAT /
INTERNE GERÄTEVERBINDUNGEN**

SUPPLY / FORSYNING / VERSORGUNGSSPANNUNG.....	1
TERMINALS / KLEMMER / ANSCHLUSSKLEMMEN.....	2
MULTI CABLE / MULTILEDER / LEITUNGSNETZ.....	3
COMPONENTS / KOMPONENTER / KOMPONENTEN.....	4
FAN MOTOR CONNECTIONS / MOTORTILSLUTNINGER / MOTORANSCHLUSS.....	5
PLUGS ON EXTRACT FAN / STIK PÅ UDSUGNINGS-MOTOR / STECKER FÜR ABLUFTVENTILATOR.....	6
PLUGS ON SUPPLY FAN / STIK PÅ INDBLÆSNINGS-MOTOR / STECKER FÜR ZULUFTVENTILATOR.....	7
MAINS CONNECTION / NETTILSLUTNING / NETZANSCHLUSS.....	8

2. OPTIONS / TILBEHØR / ZUBEHØR

FIRETERMOSTATS / BRANDTERMOSTATER / BRANDTHERMOSTATE.....	9
FILTER GUARDS (MECHANICAL) / FILTERVAGTER (MEKANISKE) / FILTERWÄCHTER (MECHANISCH)	10
SMOKE DETECTOR / RØG DETEKTOR / RAUCH DETEKTOR.....	11
DAMPER CONNECTIONS (ON/OFF) / SPJÆLDTILSLUTNING (ON/OFF) / KLAPPENANSCHLUSS (ON/OFF).....	12
DAMPER CONNECTIONS (MODULATED) / SPJÆLDTILSLUTNING (MODULERENDE) / KLAPPENANSCHLUSS (MODULIERT).....	13
FLOW GUARDS (MECHANICAL) / FLOWVAGTER (MEKANISKE) / FLOWWÄCHTER (MECHANISCH).....	14
REHEAT LPHW / EFTERVARME (VANDVARME) / NACHHEIZFLÄCHE WARMWASSER.....	15
REHEAT (ELECTRICAL) / EFTERVARME (EL-VARME) / NACHHEIZFLÄCHE (ELEKTRISCH).....	16
REHEAT (ELECTRICAL) / EFTERVARME (EL-VARME) / NACHHEIZFLÄCHE (ELEKTRISCH).....	17
HUMIDITY SENSOR / FUGTFØLER / FEUCHTEFÜHLER.....	18
CO2 SENSOR / Co2 SENSOR / Co2 FÜHLER.....	19
CONSTANT PRESSURE IN THE SUPPLY AIR DUCT (VAV) / KONSTANT TRYK I INDBLÆSNINGSKANAL (VAV) / KONSTANTER DRUCK IM ZULUFTKANAL (VAV).....	20
DISPLACEMENT OF TEMPERATURE SETPOINT / FORSKYNING AF TEMPERATURSETPUNKT VERSCHIEBUNG DES TEMPERATUR SETPUNKTES.....	21
EXTENDED OPERATION / FORLÆNGET DRIFT / VERLÄNGERTE BETRIEBSZEIT.....	22
MOTION OBSERVER / BEVÆGELSESFØLER / BEWEGUNGSFÜHLER.....	23
PREHEAT (LPHW OR ELECTRICAL) / FORVARME (VAND- ELLER EL-VARME) / VORHEIZFLÄCHE (WARMWASSER ODER ELEKTRISCH).....	24
PREHEAT (LPHW) / FORVARME (VANDVARME) / VORHEIZFLÄCHE (WARMWASSER).....	25
PREHEAT (ELECTRICAL) / FORVARME (EL-VARME) / VORHEIZFLÄCHE (ELEKTRISCH).....	26
DX WATER COOLING COIL / DX VANDKØLEFLADE / DX KALTWASSER FLÄCHE.....	27
DX COIL (CAPACITY CONTROL) COMPRESSOR / DX KØLEFLADE (KAPACITETSREGULERING) KOMPRESSOR / DX KÜHLFLÄCHE (LEISTUNGSREGULIERUNG) KOMPRESSOR.....	28
DX COIL (STARTING SIGNAL) COMPRESSOR / KØLEFLADE (STARTSIGNAL) KOMPRESSOR / DX KÜHLFLÄCHE (START SIGNAL) KOMPRESSOR.....	29
RECUPERATOR DE-ICING / AFRIMNING AF VEKSLER / ABTAUUNG WÄRMETAUSCHER.....	30
RUN-FAULT VOLTFREE SIGNAL / DRIFT-FEJLSIGNAL / BETRIEB-STÖRUNG SIGNAL.....	31
FANS ON SIGNAL / VENTILATOR KØRER SIGNAL / VENTILATOREN AN SIGNAL.....	32
COMMUNICATION MODUL / KOMMUNIKATIONS MODUL / KOMMUNIKATIONS MODUL.....	33
CONNECTING CABLE / FORBINDELSKABEL / VERBINDUNGSKABEL.....	35
START SIGNAL TO PUMP FOR WATER COOLING COIL / STARTSIGNAL TIL PUMPE FOR VANDKØLEFLADE / STARTSIGNAL FÜR UMWÄLZPUMPE KALTWASSER	36
START SIGNAL TO PUMP FOR REHEATER LPHW / STARTSIGNAL TIL PUMPE FOR EFTERVARMEFLADE / STARTSIGNAL FÜR UMWÄLZPUMPE WARMWASSER	37



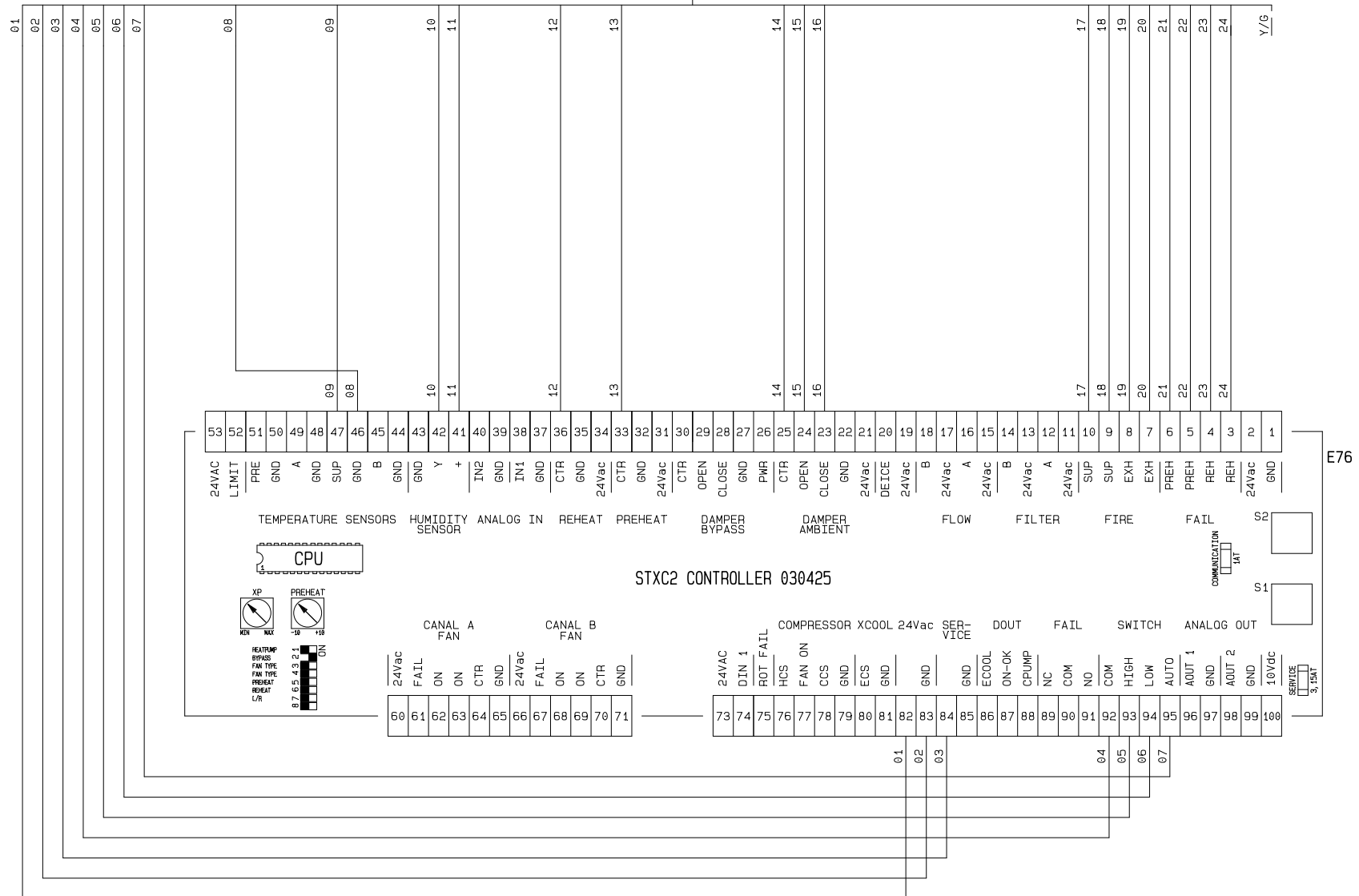
Voltage: 2N~400V
 Power: --kW
 Load: --A
 Max fuse: --A
 MAINS DATA

VentC	1N~ PE 230V			2N~ PE 400V			3~ PE 230V			Conductor size [isolat->term [mm²]]
	Power [kW]	Load [A]	Fuse [A]	Power [kW]	Load [A]	Fuse [A]	Power [kW]	Load [A]	Fuse [A]	
2	1, 1	8, 8	10	1, 1	4, 9	10	1, 1	8, 5	10	2, 5
4	2, 2	15, 8	20	2, 2	8, 4	10	2, 2	15, 3	20	4

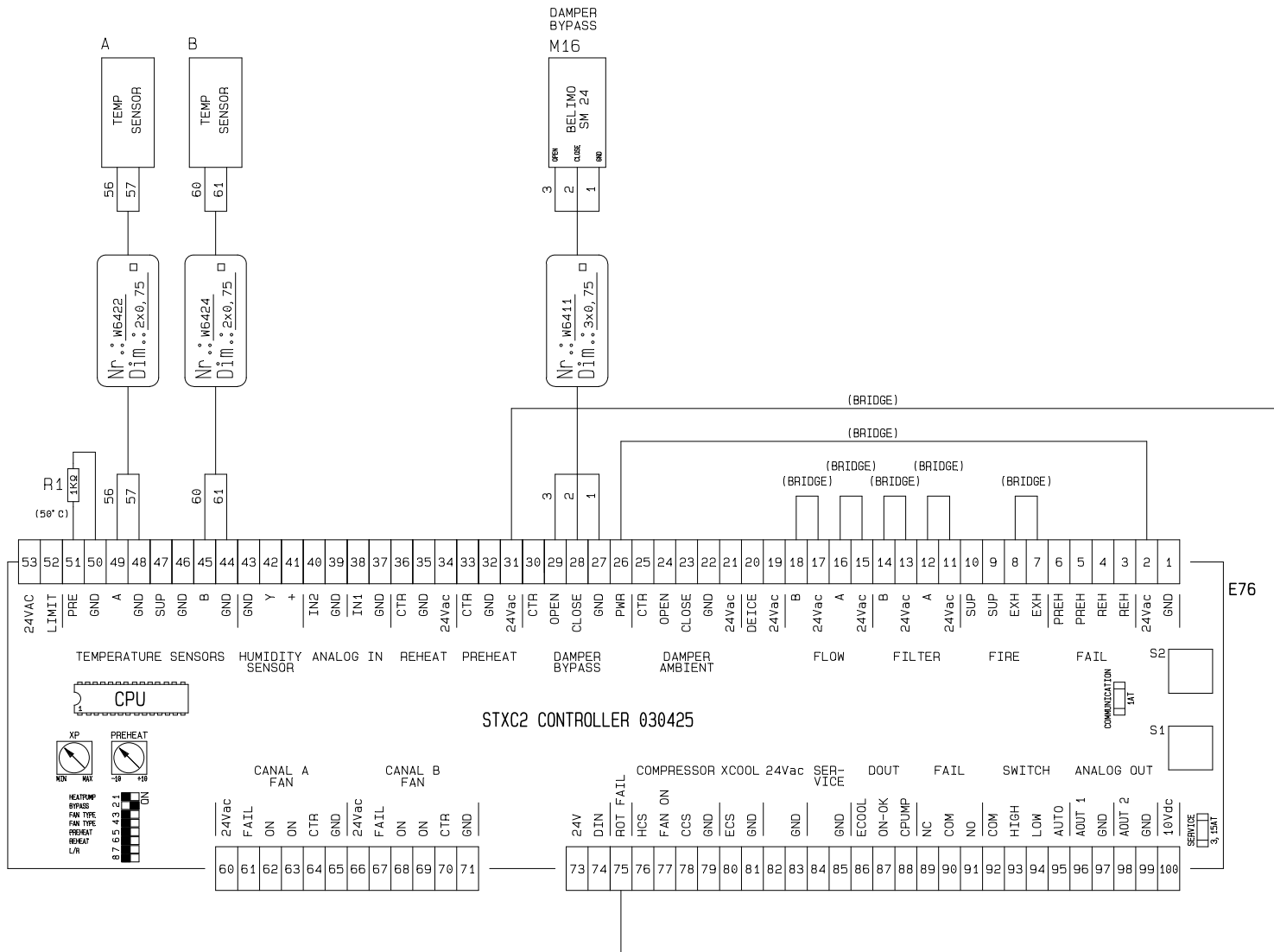
1 2 3 4 5 6 7 8 9 10 11 12 13 14 15 16 17 18 19 20 21 22 23 24 25 26 27 28 29 30 31 32 33 34 35 36 37

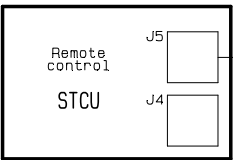
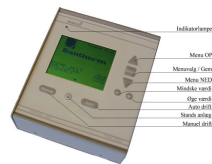
PAGE 2
W6300

Nr.: W6300
Dim.: 25x0,75



A/S Dantherm Jagstrupvej 4, DK - 7800 Skive Tel. +45 97 52 41 44 Fax. +45 97 52 61 34	Customer: A/S DANTHERM	Customer ref.:	Revision:	Dantherm no.:
	Item: INTERNAL CONNECTIONS IN THE UNIT - MULTI CABLE		Page revision:	905305
	Project title: VentC 2/4		Printed: 02-06-2005	
	Designer:		Changed: 02-06-2005	Page: 3 of 37





Nr.: W1101
Dim.: 6x0, 14

EXTERNAL CONNECTIONS

IN-LINE PLUG CROSS CONNECTED

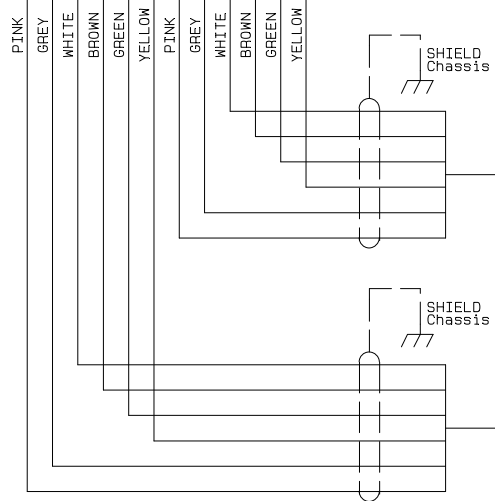
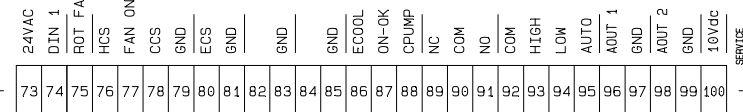
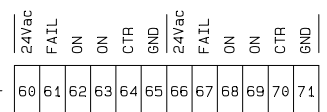
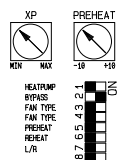
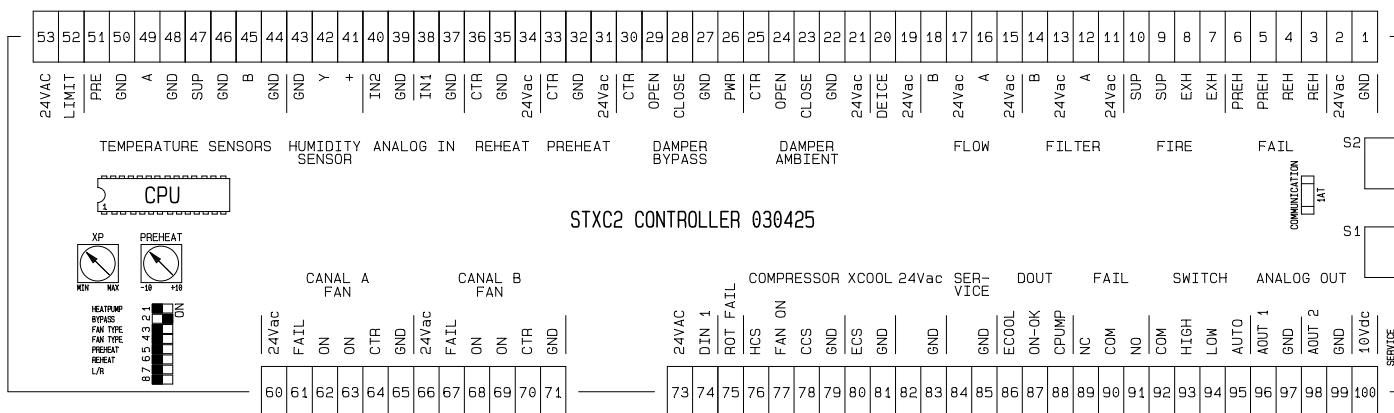
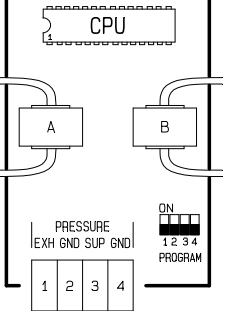
E76

Nr.: W1103
Dim.: 6x0, 14

Nr.: W1102
Dim.: 6x0, 14

STPT2 000615

E77



No.: W4801
Dim.: 6x0, 5
+SHIELD

- WHITE
- BROWN
- GREEN
- YELLOW
- GREY
- PINK

PAGE 7
W4801

SUPPLY FAN

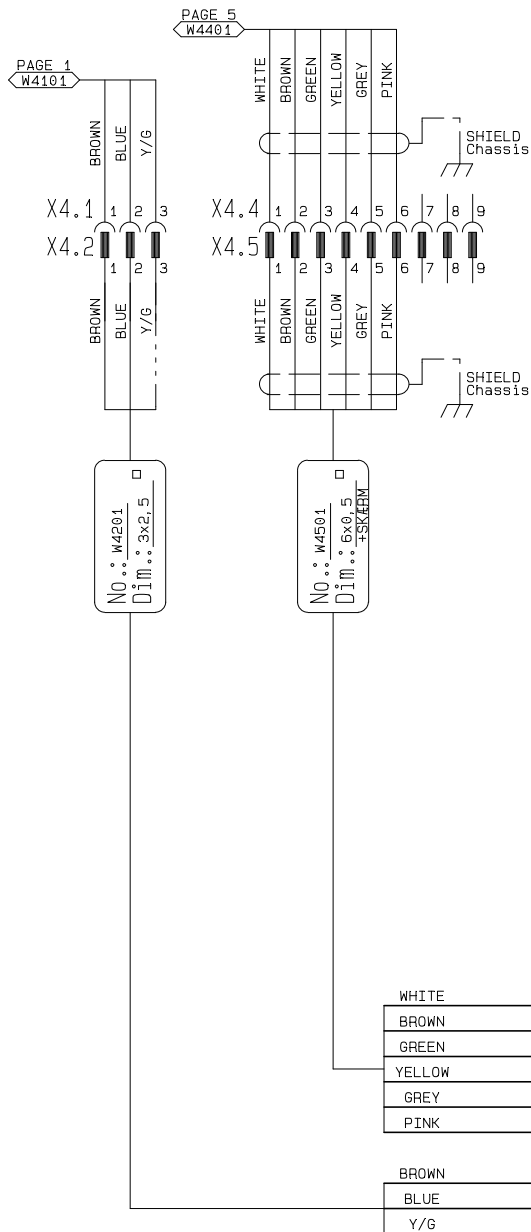
No.: W4401
Dim.: 6x0, 5
+SHIELD

- WHITE
- BROWN
- GREEN
- YELLOW
- GREY
- PINK

PAGE 6
W4401

EXTRACT FAN

P:\Automation\Dantherm Air\E1-tegning Dantherm Air\905305 sag. 20053551 VENT C 2



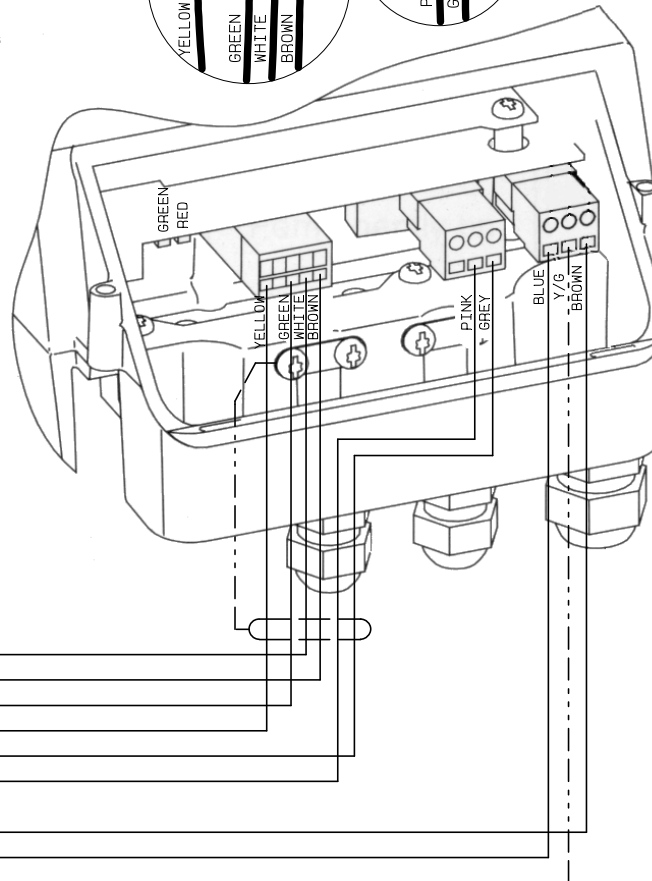
EXTRACT FAN
M1

6 5 4 3 2
YELLOW GREEN WHITE BROWN

NC C NO
PINK GREY

N PE L
BLUE Y/G BROWN

::GND
 ::set +10V
 :: point input
 ::GND
 :: Start/stop



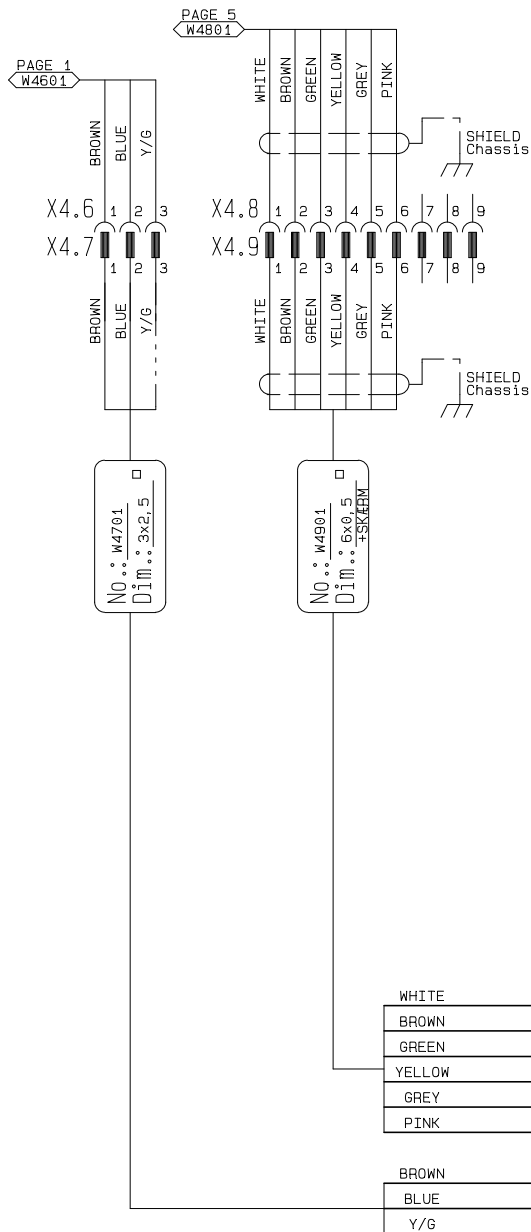
A/S Dantherm
Jagstrupevej 4, DK - 7800 Skive
Tel. +45 97 52 41 44
Fax. +45 97 52 61 34

Customer: A/S DANTHERM
Item: INTERNAL CONNECTIONS IN THE UNIT - PLUGS ON EXTRACT FAN
Project title: Ventc 2/4
Designer:

Customer ref.:

Revision:
Page revision:
Printed: 02-06-2005
Changed: 04-02-2004

Dantherm no.:
905305
Page: 6 of 37



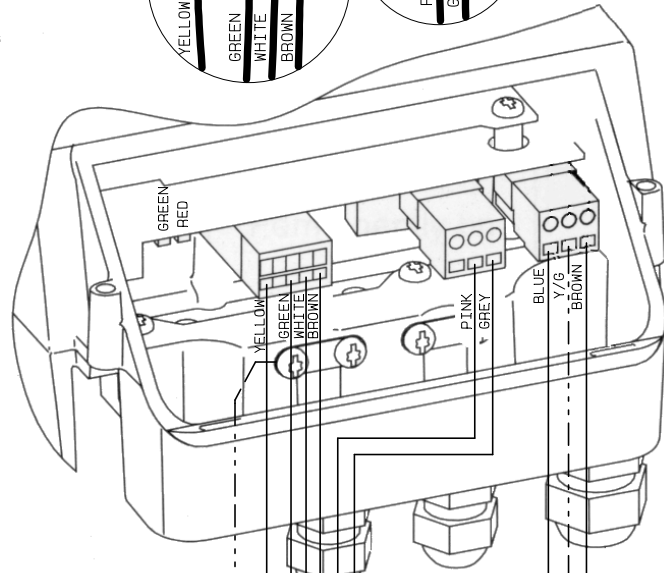
SUPPLY FAN
M2

6 5 4 3 2
YELLOW GREEN WHITE BROWN

NC C NO
PINK GREY

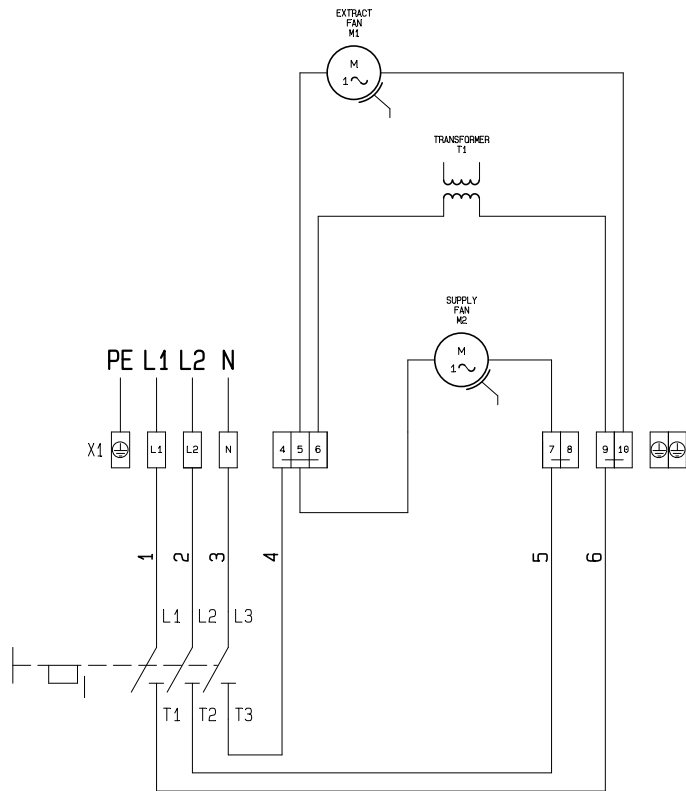
N PE L
BLUE Y/G BROWN

:GND
 :+10V
 :point input
 :GND
 :Start/stop



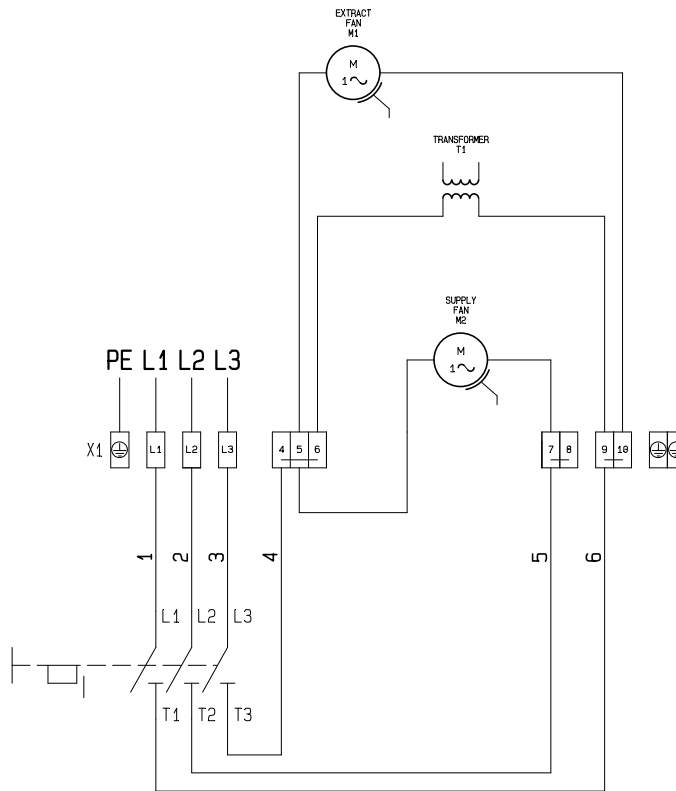
A/S Dantherm Jagstrupvej 4, DK - 7800 Skive Tel. +45 97 52 41 44 Fax. +45 97 52 61 34	Customer: A/S DANTHERM	Customer ref.:	Revision:	Dantherm no.:
	Item: INTERNAL CONNECTIONS IN THE UNIT - PLUGS ON SUPPLY FAN		Page revision:	905305
	Project title: Ventc 2/4		Printed: 02-06-2005	
	Designer:		Changed: 04-02-2004	Page: 7 of 37
	P:\Automation\Dantherm Air\E1-tegning Dantherm Air\905305 sag. 20053551 VENT C 2			

Mains: 2N~ PE 400V

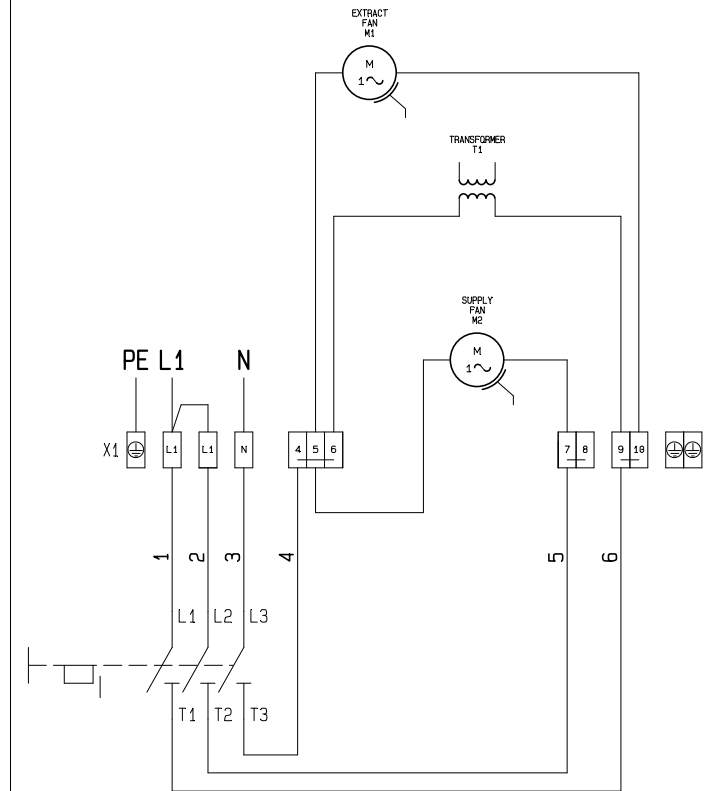


Default mounting:

Mains: 3~ PE 230V



Mains: 1N~ PE 230V



A/S Dantherm

Jegstrupvej 4, DK - 7800 Skive
Tel. +45 97 52 41 44
Fax. +45 97 52 61 34

Customer: A/S DANTHERM

Item: MAINS - 2N~ PE 400V, 3~ PE 230V & 1N~ PE 230V

Project title: VentC 2/4

Designer:

Customer ref.:

Revision:

Page revision:

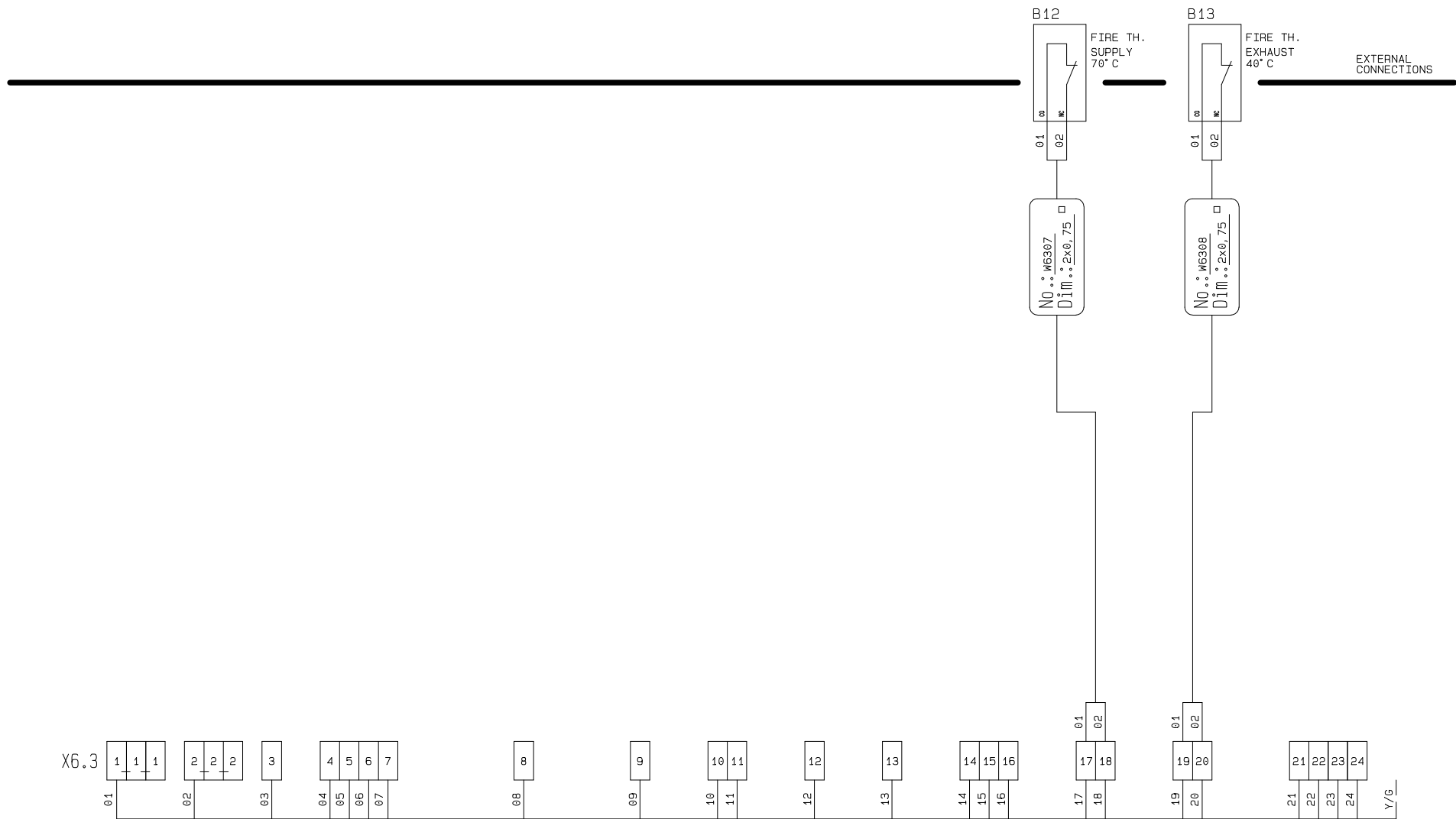
Printed: 02-06-2005

Changed: 04-02-2004

Dantherm no.:

905305

Page: 8 of 37



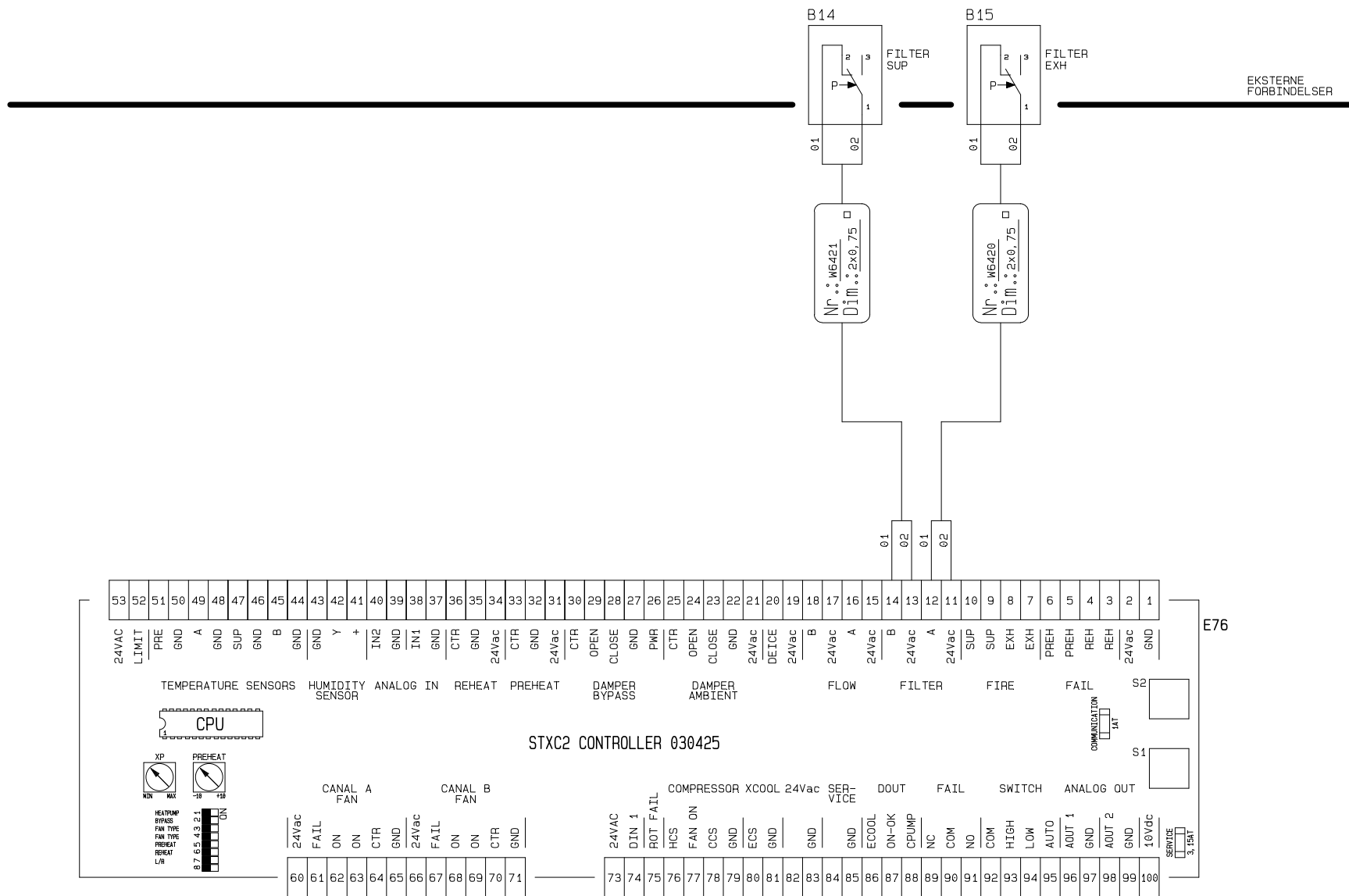
A/S Dantherm
 Jagstrupvej 4, DK - 7800 Skive
 Tel. +45 97 52 41 44
 Fax. +45 97 52 61 34

Customer: A/S DANTHERM
 Item: OPTION - FIRE THERMOSTATS
 Project title: VentC 2/4
 Designer:

Customer ref.:

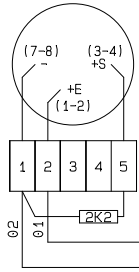
Revision:
 Page revision:
 Printed: 02-06-2005
 Changed: 09-11-2001

Dantherm no.:
905305
 Page: 9 of 37



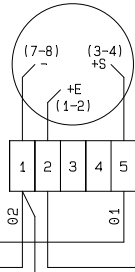
SUPPLY AIR DUCT

(VS-1130 / VS-1150)

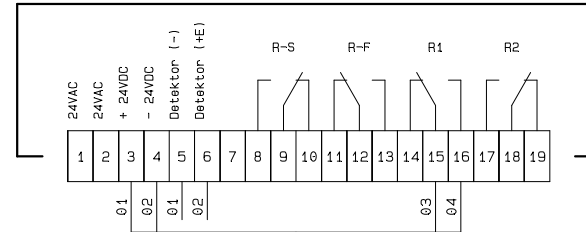


EXTRACT AIR DUCT

(VS-1130 / VS-1150)



Smoke detector
(REGIN ABV-S-100)



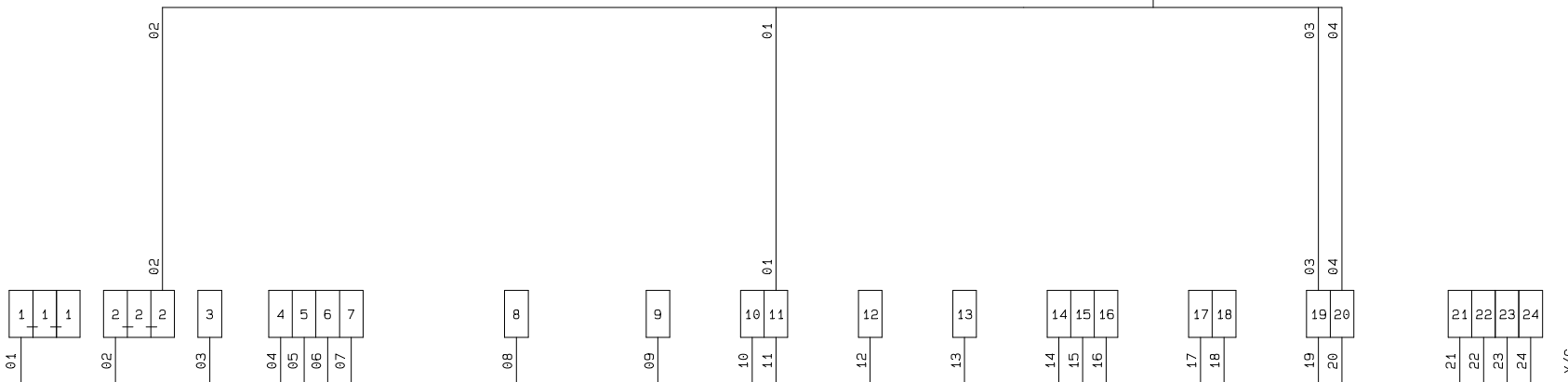
No.: W6313
Dim.: 2x0,75 □

No.: W6312
Dim.: 2x0,75 □

No.: W6311
Dim.: 2x0,75 □

EXTERNAL CONNECTIONS

X6.3



A/S Dantherm

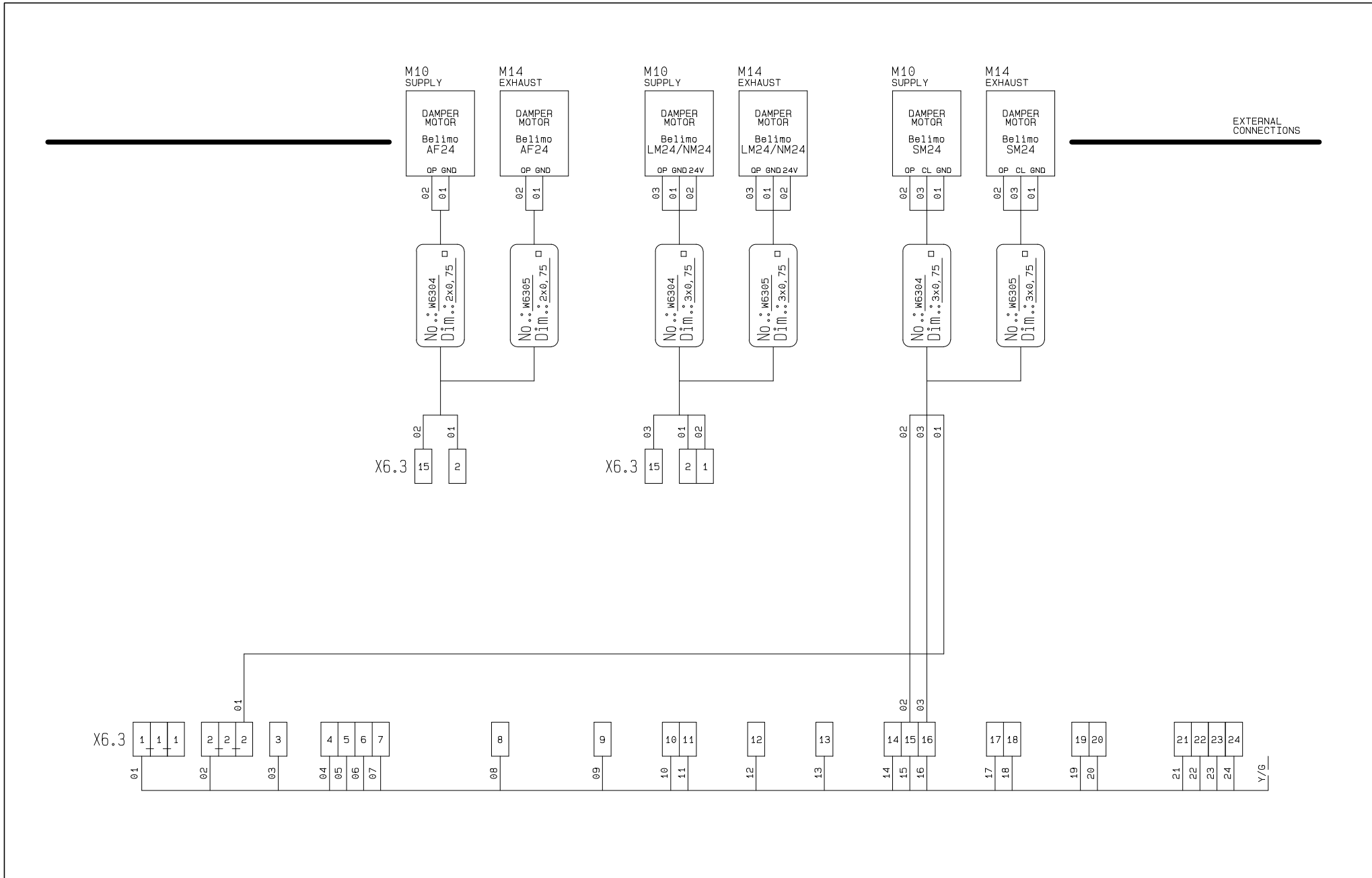
Jægstрупvej 4, DK - 7800 Skive
Tel. +45 97 52 41 44
Fax. +45 97 52 61 34

Customer: A/S DANTHERM
Item: OPTION - SMOKE DETECTOR
Project title: Ventic 2/4
Designer:

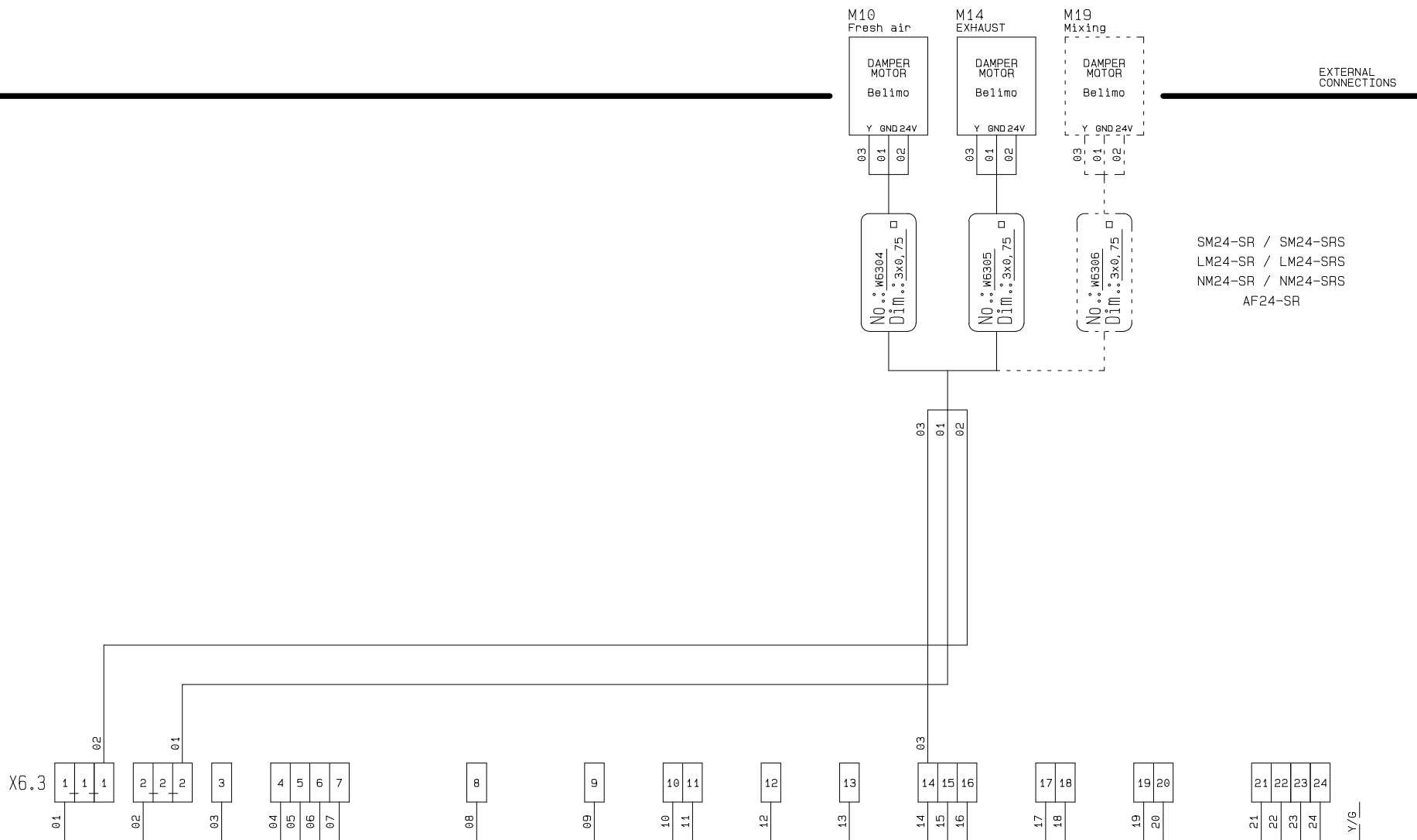
Customer ref.:

Revision:
Page revision:
Printed: 02-06-2005
Changed: 09-11-2001

Dantherm no.:
905305
Page: 11 of 37



A/S Dantherm Jagstrupvej 4, DK - 7800 Skive Tel. +45 97 52 41 44 Fax. +45 97 52 61 34	Customer: A/S DANTHERM	Customer ref.:	Revision:	Dantherm no.:
	Item: OPTION - DAMPER CONNECTIONS (ON/OFF)		Page revision:	905305
	Project title: VentC 2/4		Printed: 02-06-2005	
	Designer:		Changed: 09-11-2001	Page: 12 of 37



A/S Dantherm

Jægstрупvej 4, DK - 7800 Skive
Tel. +45 97 52 41 44
Fax. +45 97 52 61 34

Customer: A/S DAN THERM

Item: OPTION - DAMPER CONNECTIONS (MODULATED)

Project title: VentC 2/4

Designer:

Customer ref.:

Revision:

Page revision:

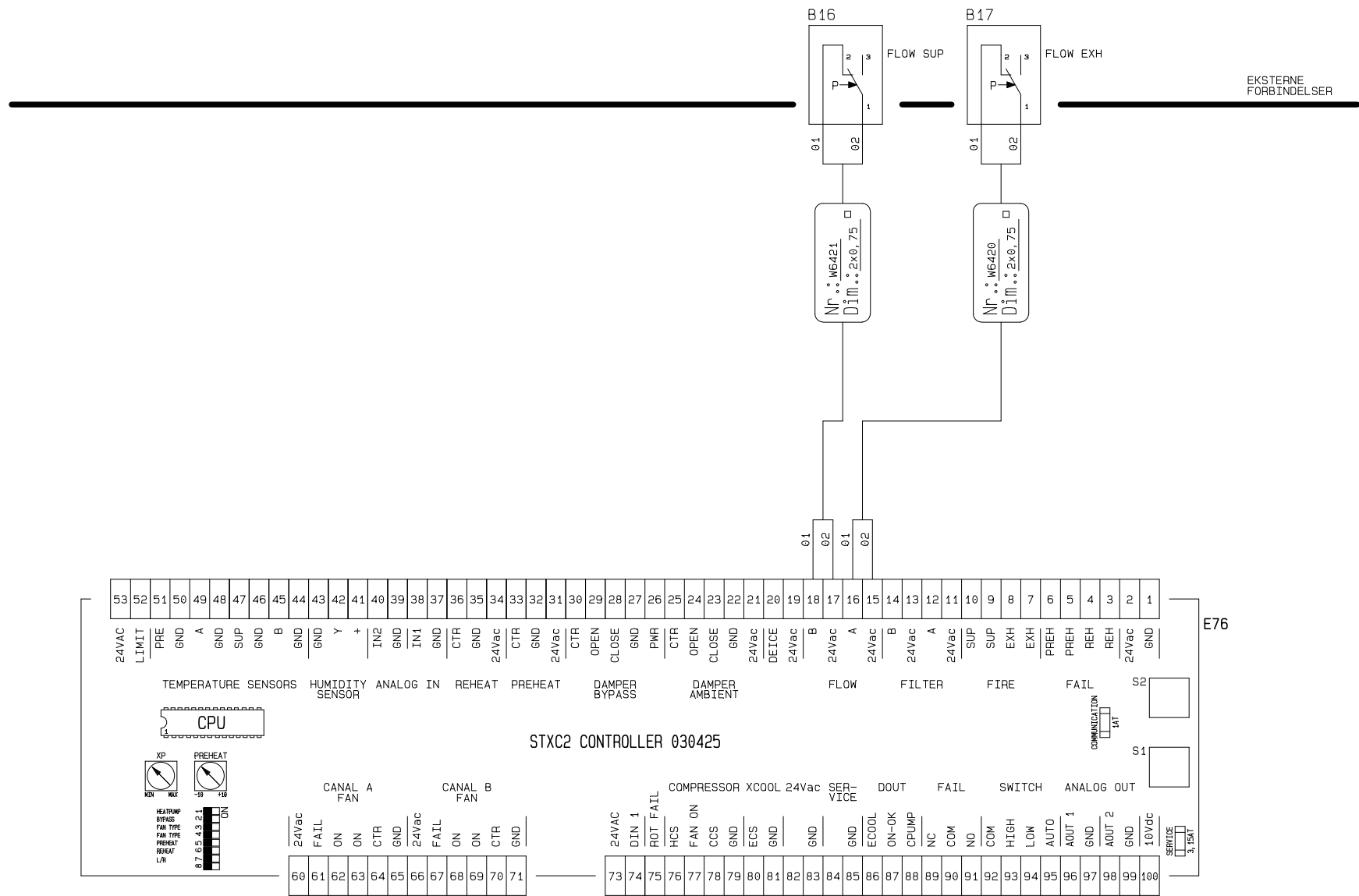
Printed: 02-06-2005

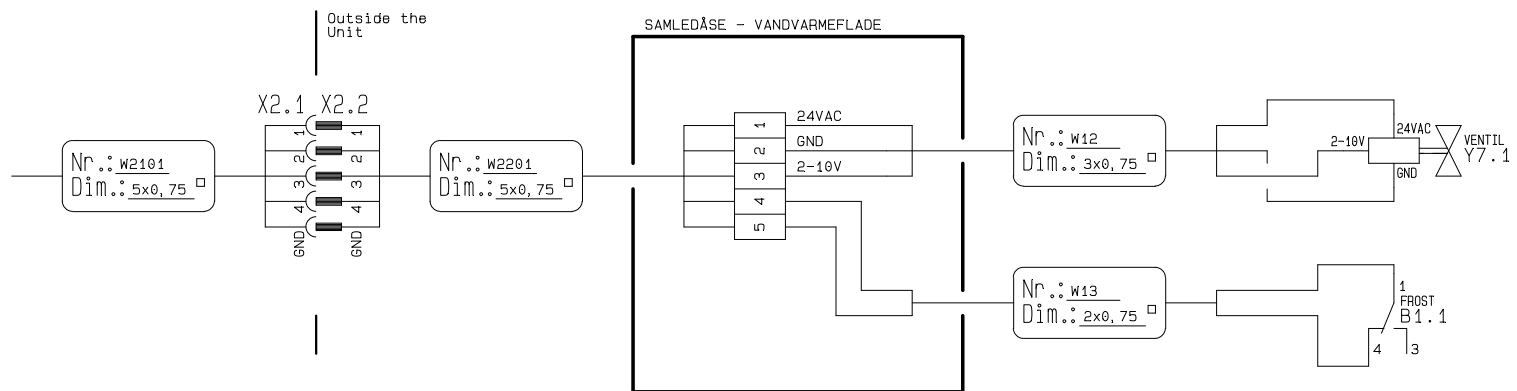
Changed: 09-11-2001

Dantherm no.:

905305

Page: 13 of 37





A/S Dantherm

Jægstрупvej 4, DK - 7800 Skive
 Tel. +45 97 52 41 44
 Fax. +45 97 52 61 34

Customer: A/S DANTHERM
 Item: OPTION - REHEAT (LPHW)
 Project title: VentC 2/4
 Designer:

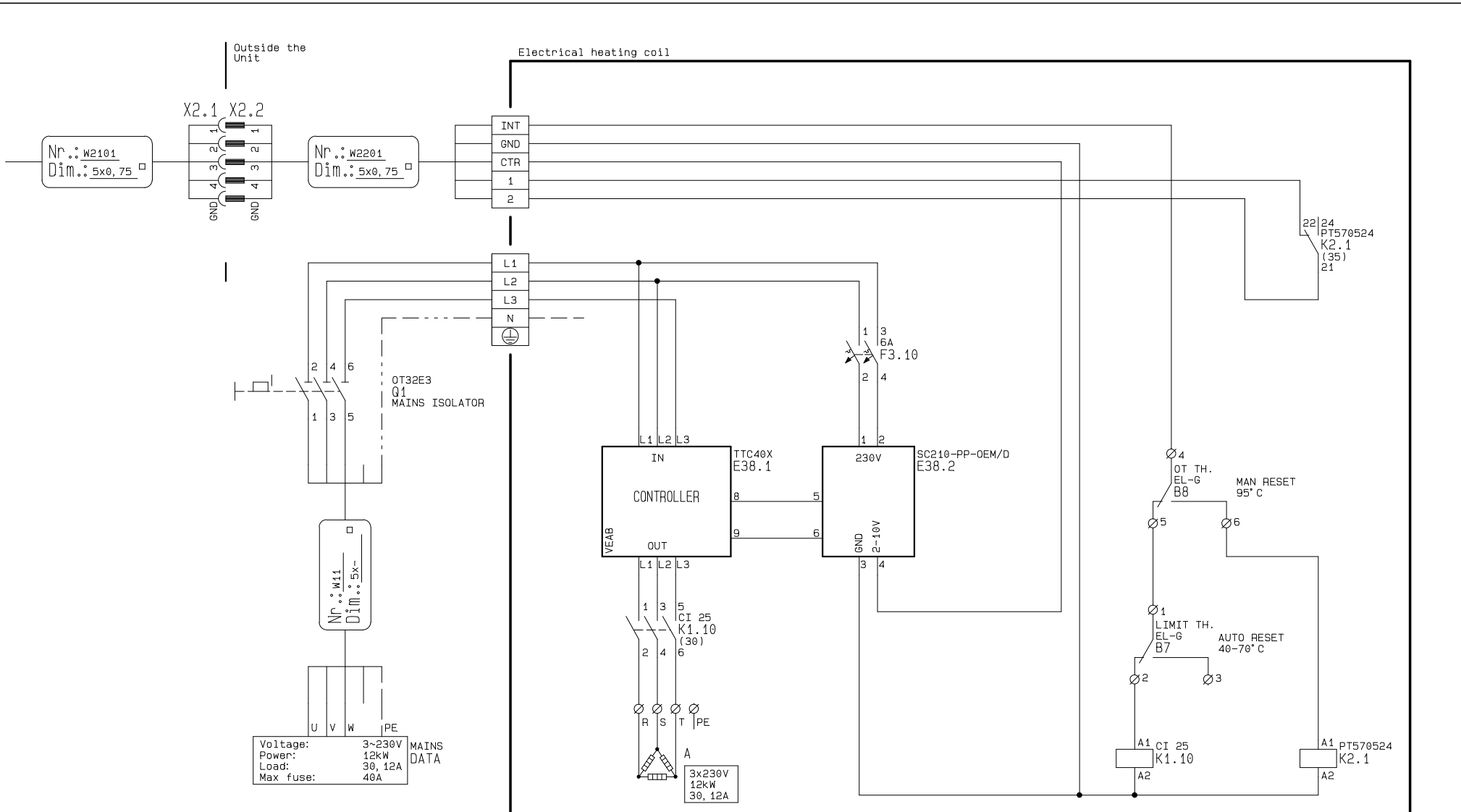
Customer ref.:

Revision:
 Page revision:
 Printed: 02-06-2005
 Changed: 02-06-2005

Dantherm no.:

905305

Page: 15 of 37



1 2 3 4 5 6 7 8 9 10 11 12 13 14 15 16 17 18 19 20 21 22 23 24 25 26 27 28 29 30 31 32 33 34 35 36 37

	3~ PE 230V		
VentC	Power: [kW]	Load: [A]	Fuse: [A]
2	7,5	18, 82	20
4	12	30, 12	40

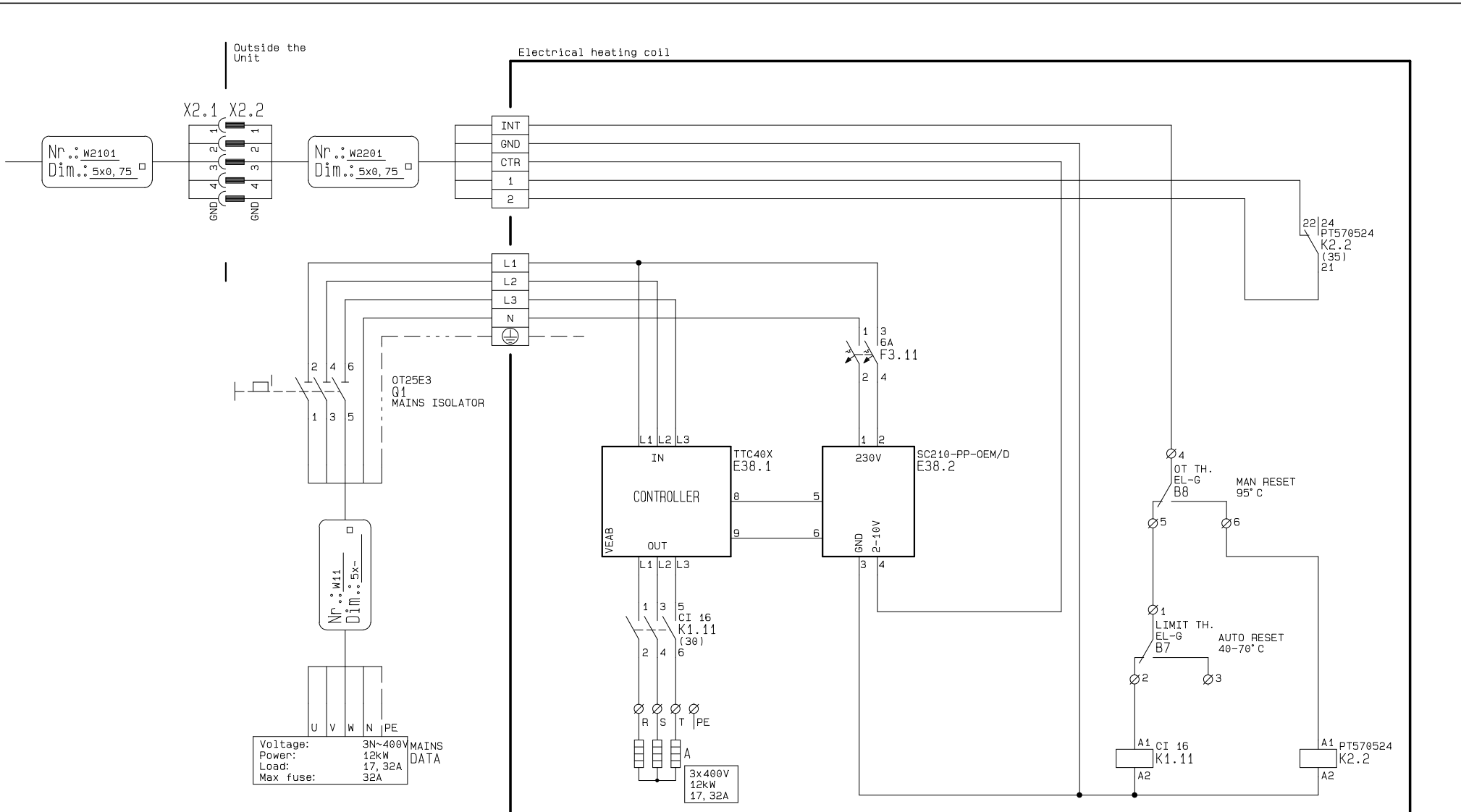
Voltage: 3~230V
 Power: 12kW
 Load: 30, 12A
 Max fuse: 40A

3x230V
 12kW
 30, 12A

(17)

(35)+(35)

A/S Dantherm Jagstrupvej 4, DK - 7800 Skive Tel. +45 97 52 41 44 Fax. +45 97 52 61 34	Customer: A/S DANTHERM	Customer ref.:	Revision:	Dantherm no.:
	Item: OPTION - REHEAT (ELECTRICAL) 3~ PE 230V		Page revision: 1	905305
	Project title: VentC 2/4		Printed: 02-06-2005	
	Designer:		Changed: 02-06-2005	Page: 16 of 37



Voltage: 3N~400V
 Power: 12kW
 Load: 17,32A
 Max fuse: 32A

MAINS DATA

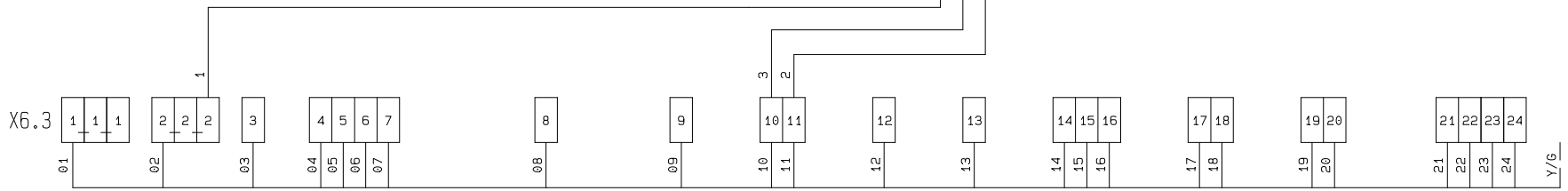
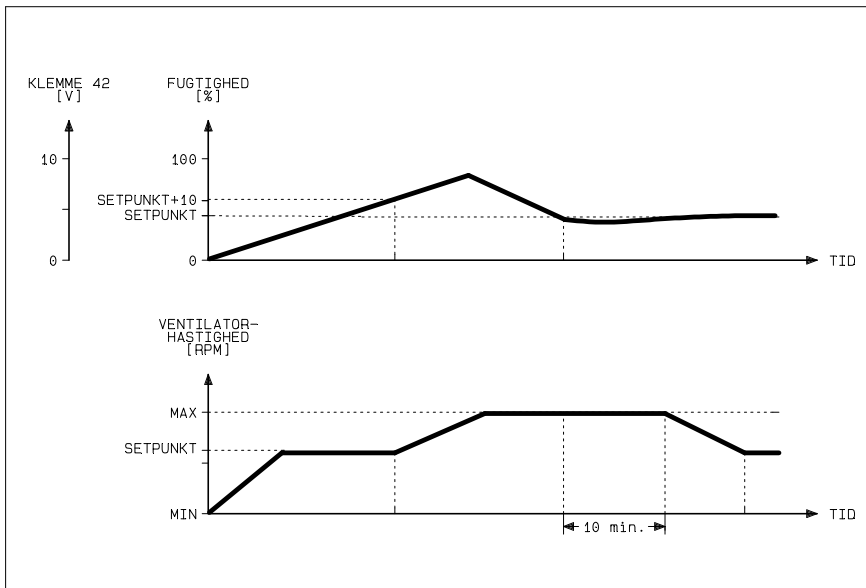
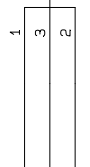
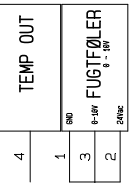
1 2 3 4 5 6 7 8 9 10 11 12 13 14 15 16 17 18 19 20 21 22 23 24 25 26 27 28 29 30 31 32 33 34 35 36 37

	3N~ PE 400V		
VentC	Power: [kW]	Load: [A]	Fuse: [A]
2	7,5	10,82	16
4	12	17,32	20

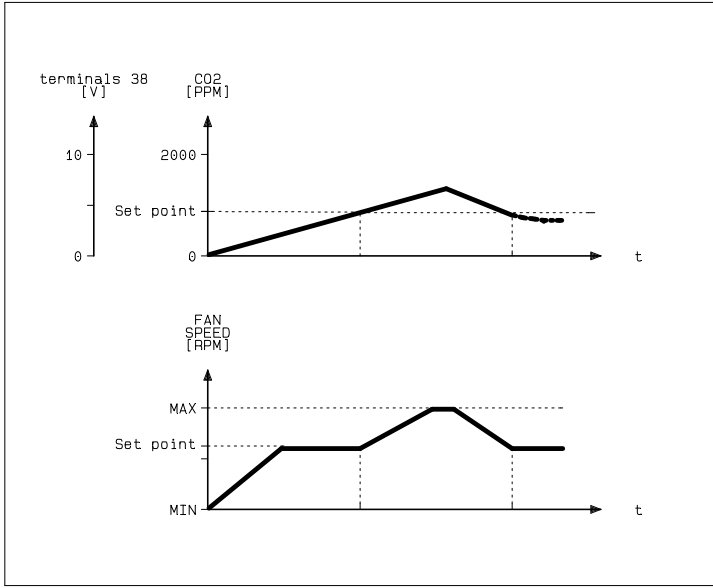
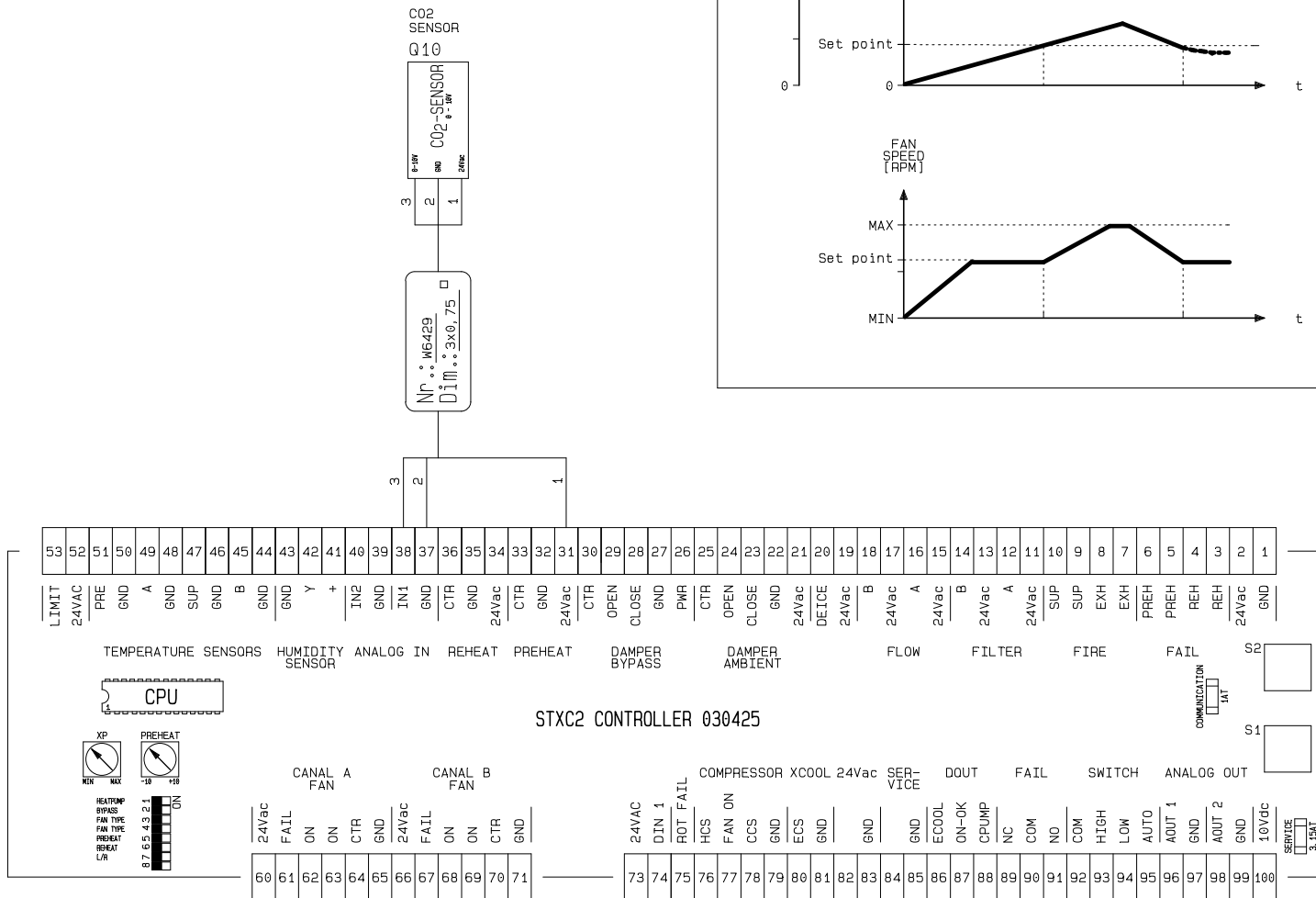
A/S Dantherm Jagstrupvej 4, DK - 7800 Skive Tel. +45 97 52 41 44 Fax. +45 97 52 61 34	Customer: A/S DANTHERM	Customer ref.:	Revision:	Dantherm no.:
	Item: OPTION - REHEAT (ELECTRICAL) 3N~ PE 400V		Page revision: 1	905305
	Project title: VentC 2/4		Printed: 02-06-2005	
	Designer:		Changed: 02-06-2005	Page: 17 of 37

EKSTERNE FORBINDELSER

HUMIDITY SENSOR

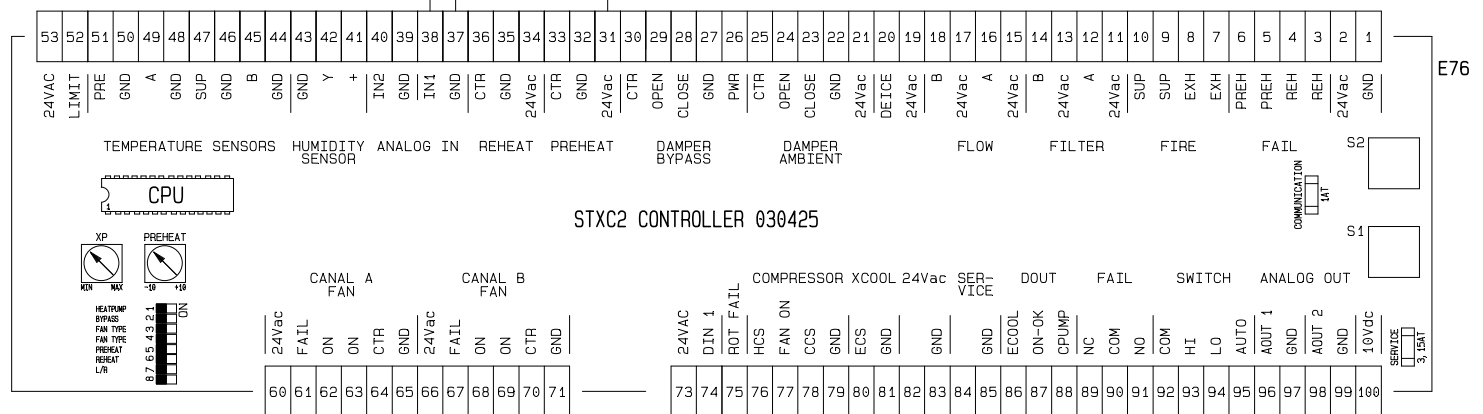
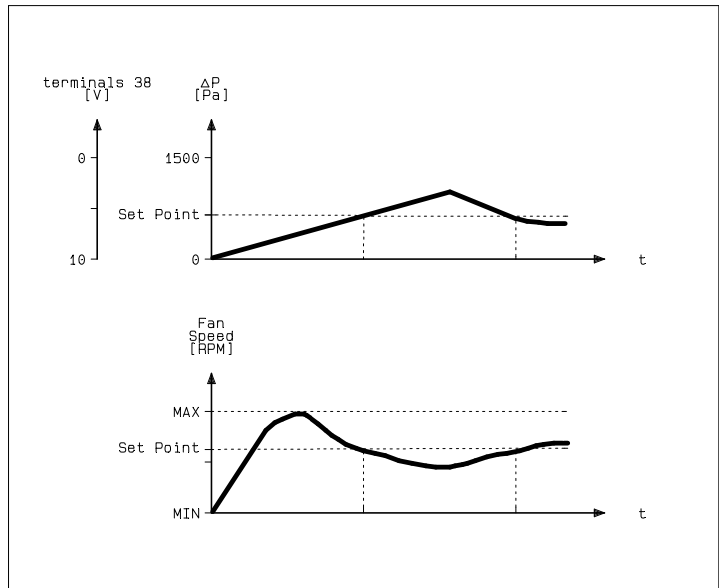
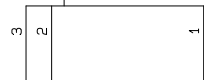
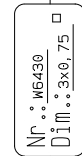


A/S Dantherm Jagstrupvej 4, DK - 7800 Skive Tel. +45 97 52 41 44 Fax. +45 97 52 61 34	Customer: A/S DANTHERM	Customer ref.:	Revision:	Dantherm no.:
	Item: OPTION - HUMIDITY SENSOR		Page revision:	905305
	Project title: VentC 2/4		Printed: 02-06-2005	
	Designer:		Changed: 09-09-2008	Page: 18 of 37



Pressure sensor
Placed in the
Supply air duct
(Constant pressure)

PRESSURE
SENSOR
Q11

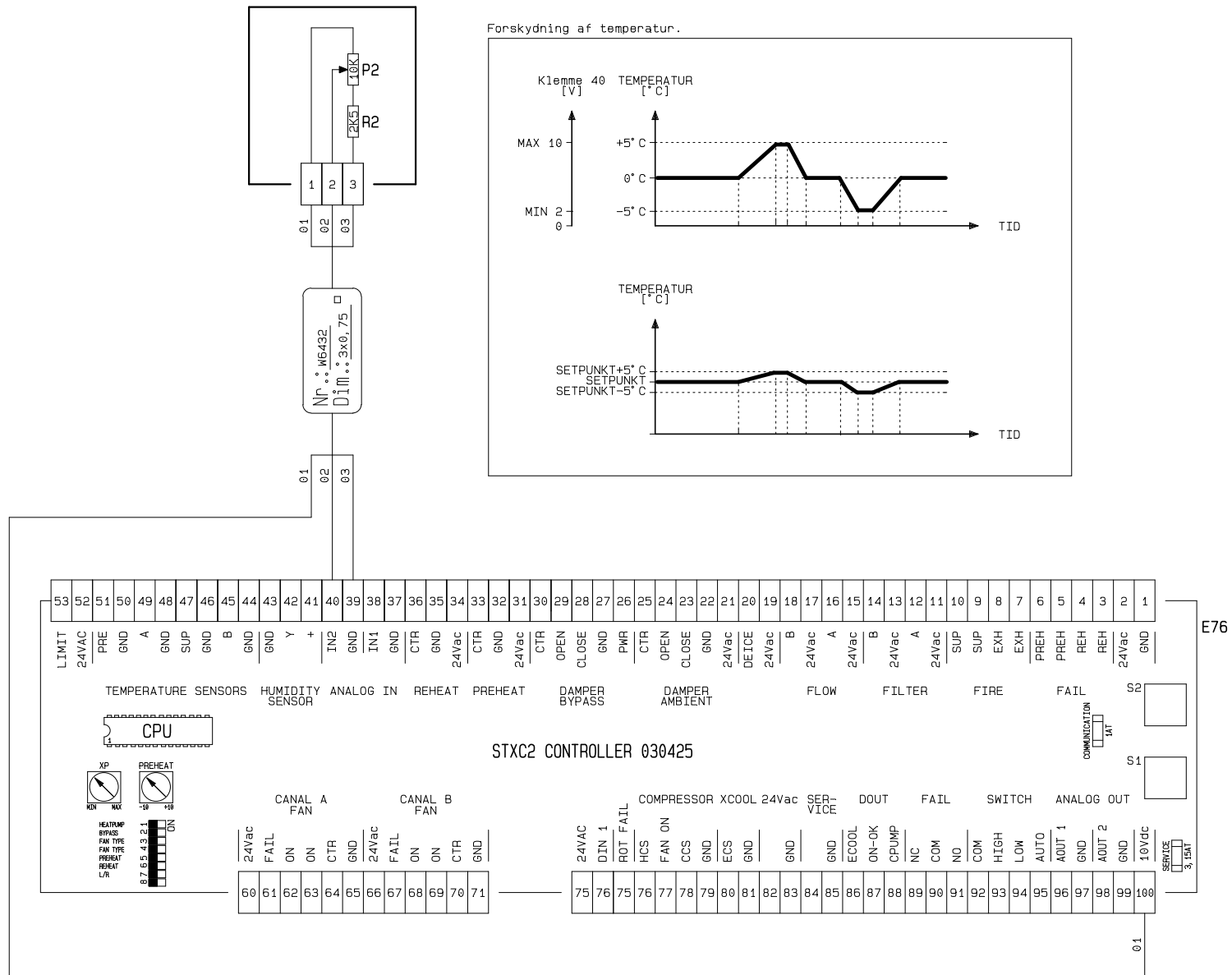


A/S Dantherm
Jagstrupevej 4, DK - 7800 Skive
Tel. +45 97 52 41 44
Fax. +45 97 52 61 34

Customer: A/S DANTHERM
Item: OPTION - CONSTANT PRESSURE IN THE SUPPLY AIR DUCT (VAV)
Project title: VentC 2/4
Designer:

Customer ref.:
Revision:
Page revision:
Printed: 02-06-2005
Changed: 02-06-2005

Dantherm no.:
905305
Page: 20 of 37



A/S Dantherm

Jægstрупvej 4, DK - 7800 Skive
 Tel. +45 97 52 41 44
 Fax. +45 97 52 61 34

Customer: A/S DANTHERM

Item: OPTION - DISPLACEMENT OF TEMPERATURE SET POINT

Project title: Ventc 2/4

Designer:

Customer ref.:

Revision:

Page revision:

Printed:

Changed:

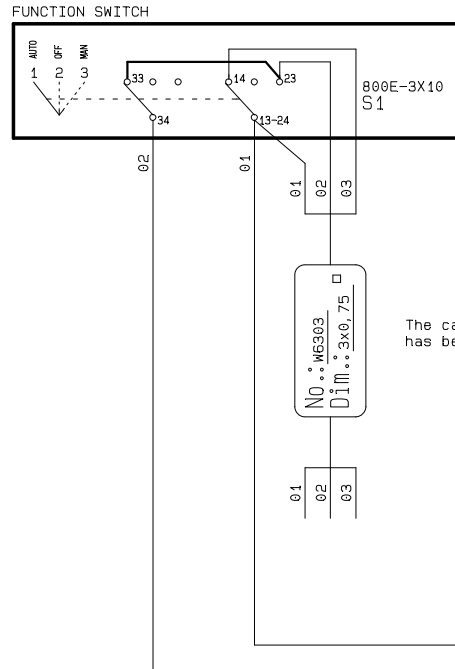
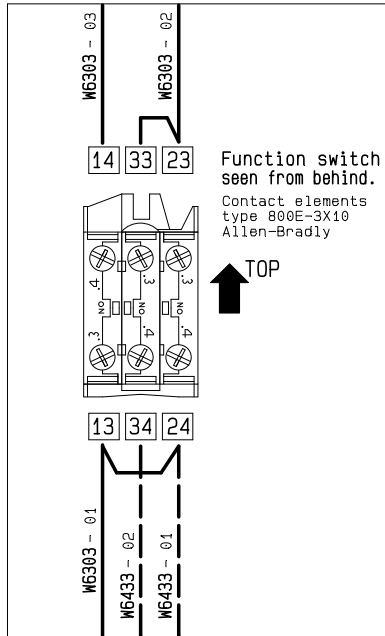
02-06-2005

02-06-2005

Dantherm no.:

905305

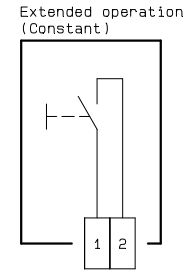
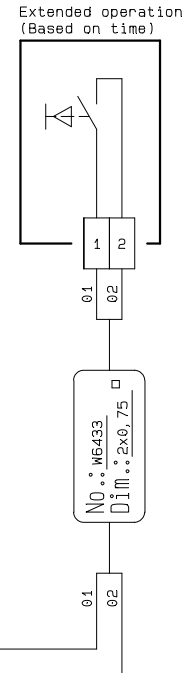
Page: 21 of 37



The cable W6303
has been connected.

Extended operation:
The function is only
activated by the
function switch S1
in position AUTO.

Parameters
in manual mode.



A/S Dantherm

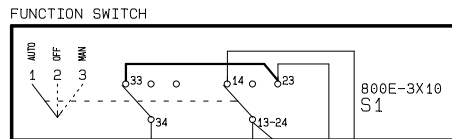
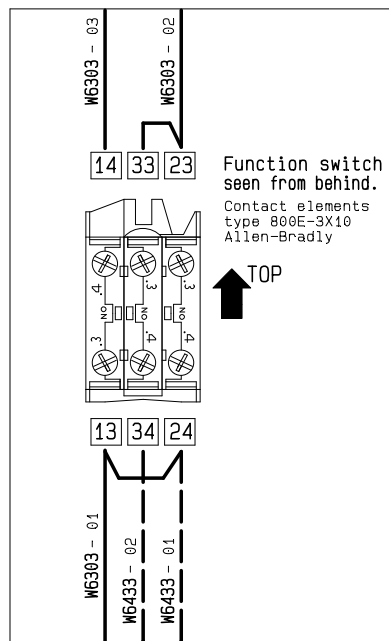
Jagtstrupvej 4, DK - 7800 Skive
Tel. +45 97 52 41 44
Fax. +45 97 52 61 34

Customer: A/S DANTERM
Item: OPTION - EXTENDED OPERATION
Project title: VentC 2/4
Designer:

Customer ref.:

Revision:
Page revision:
Printed: 02-06-2005
Changed: 09-11-2001

Dantherm no.:
905305
Page: 22 of 37

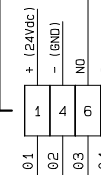
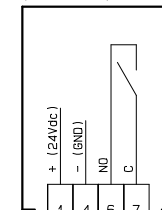


The cable W6303 has been connected.

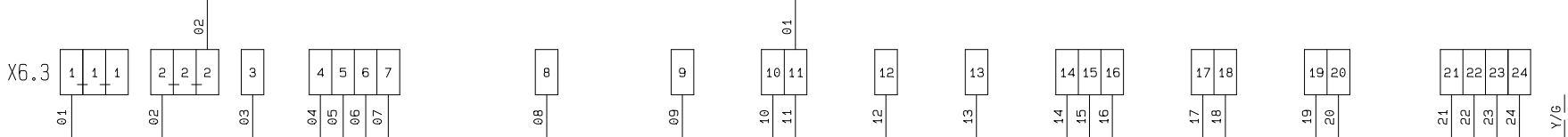
Motion in the room:
The function is only activated by the function switch S1 in position AUTO.

Parameters in manual mode.

Motion observer (PIR) (SERVODAN)



EXTERNAL CONNECTIONS



A/S Dantherm

Jægstрупvej 4, DK - 7800 Skive
Tel. +45 97 52 41 44
Fax. +45 97 52 61 34

Customer: A/S DANTHERM
Item: OPTION - MOTION OBSERVER (PIR)
Project title: VentC 2/4
Designer:

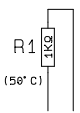
Customer ref.:

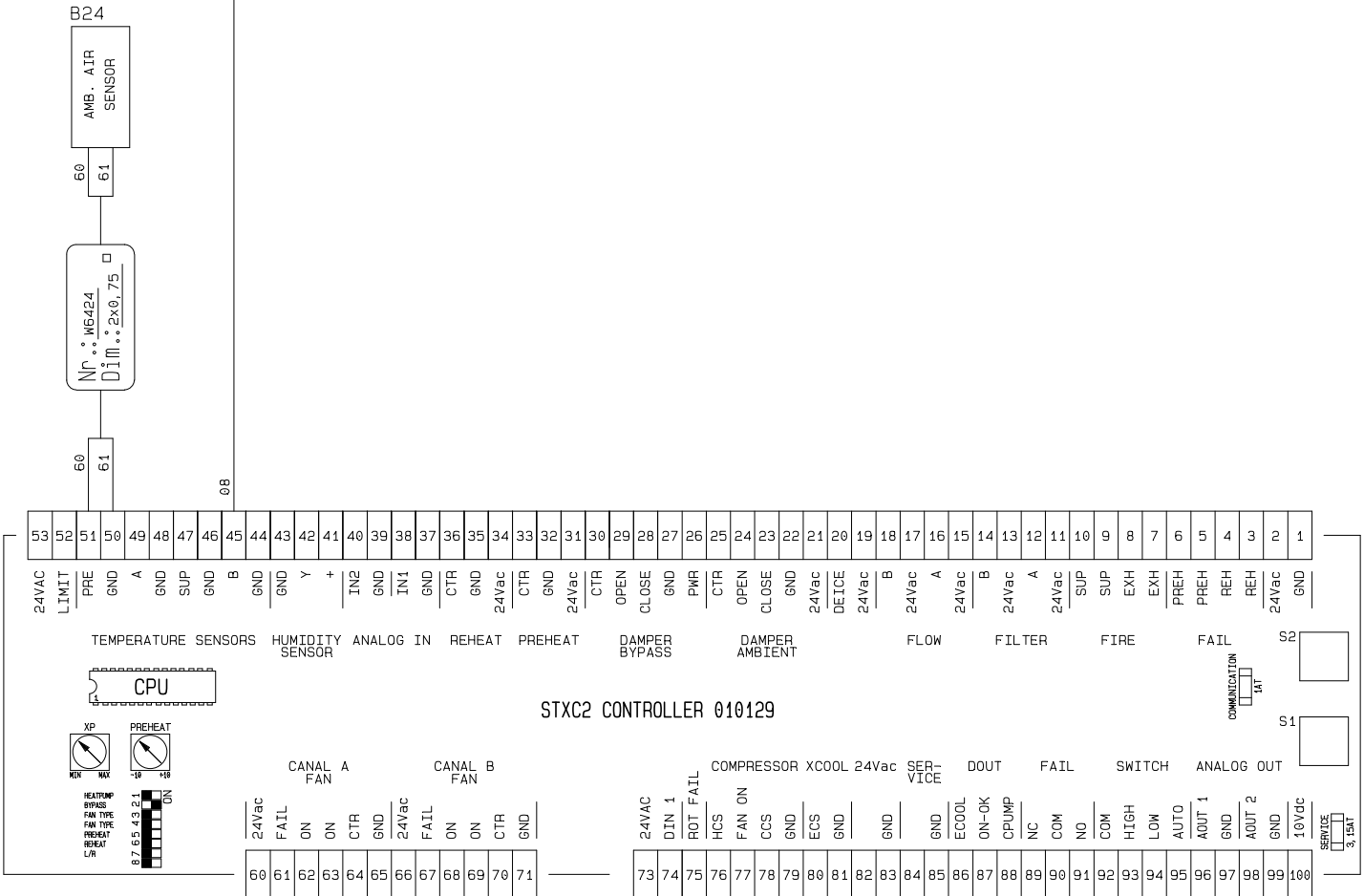
Revision:
Page revision:
Printed: 02-06-2005
Changed: 09-11-2001

Dantherm no.:
905305
Page: 23 of 37

Nr.: W6300
Dim.: 25x0,75

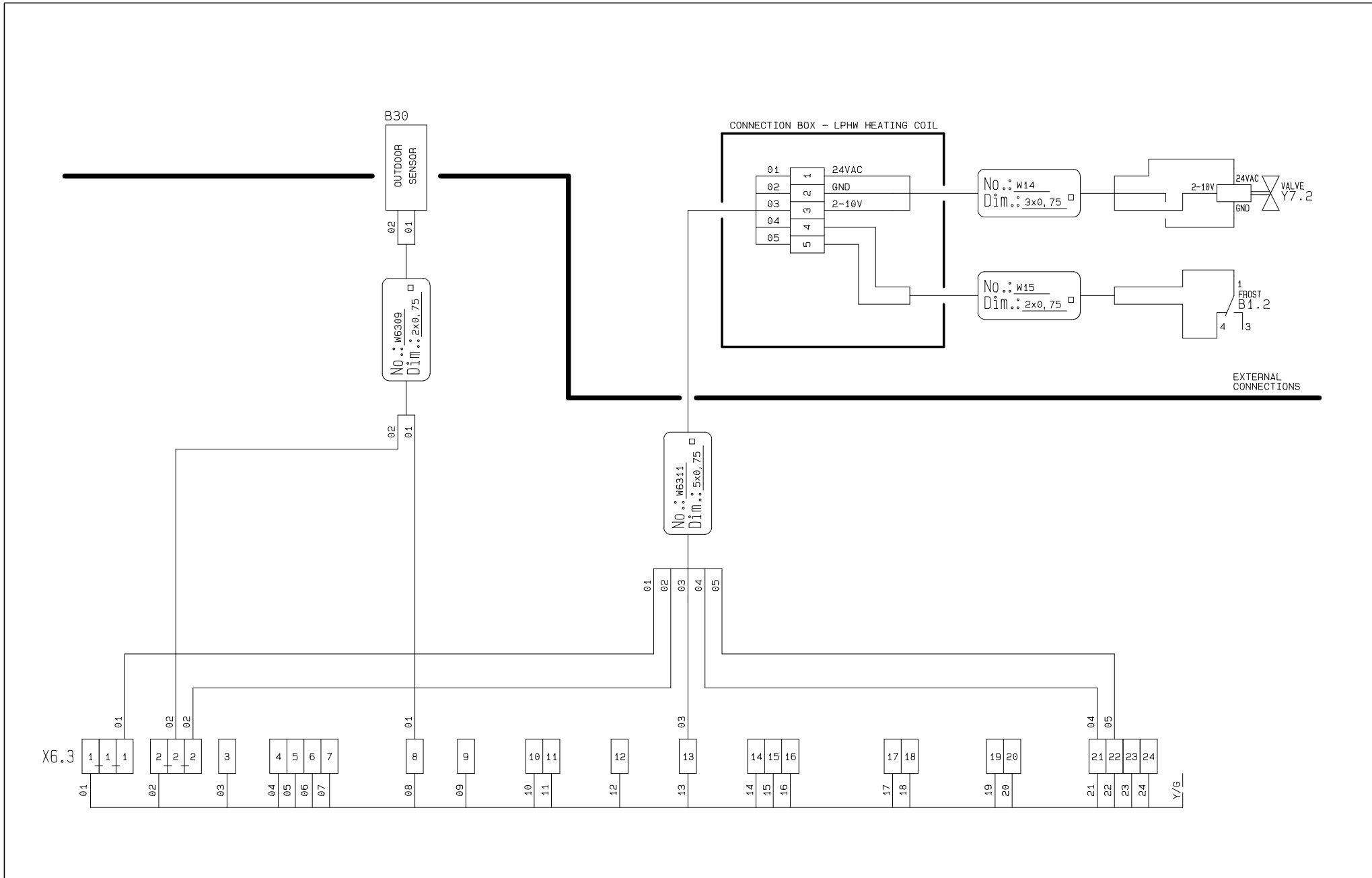
01 02 03 04 05 06 07 08 09 10 11 12 13 14 15 16 17 18 19 20 21 22 23 24 Y/6

- 1  The resistor R1 is removed from the terminals 50-51
- 2 The ambient air sensor B24 is moved from terminals 44-45 to terminals 50-51.
- 3 The extra conductor 8 in the cable W6300 is mounted into terminals 45.
- 4 The outdoor sensor B30 is conn. to the terminals 2-8 on X6.3. See the following page.

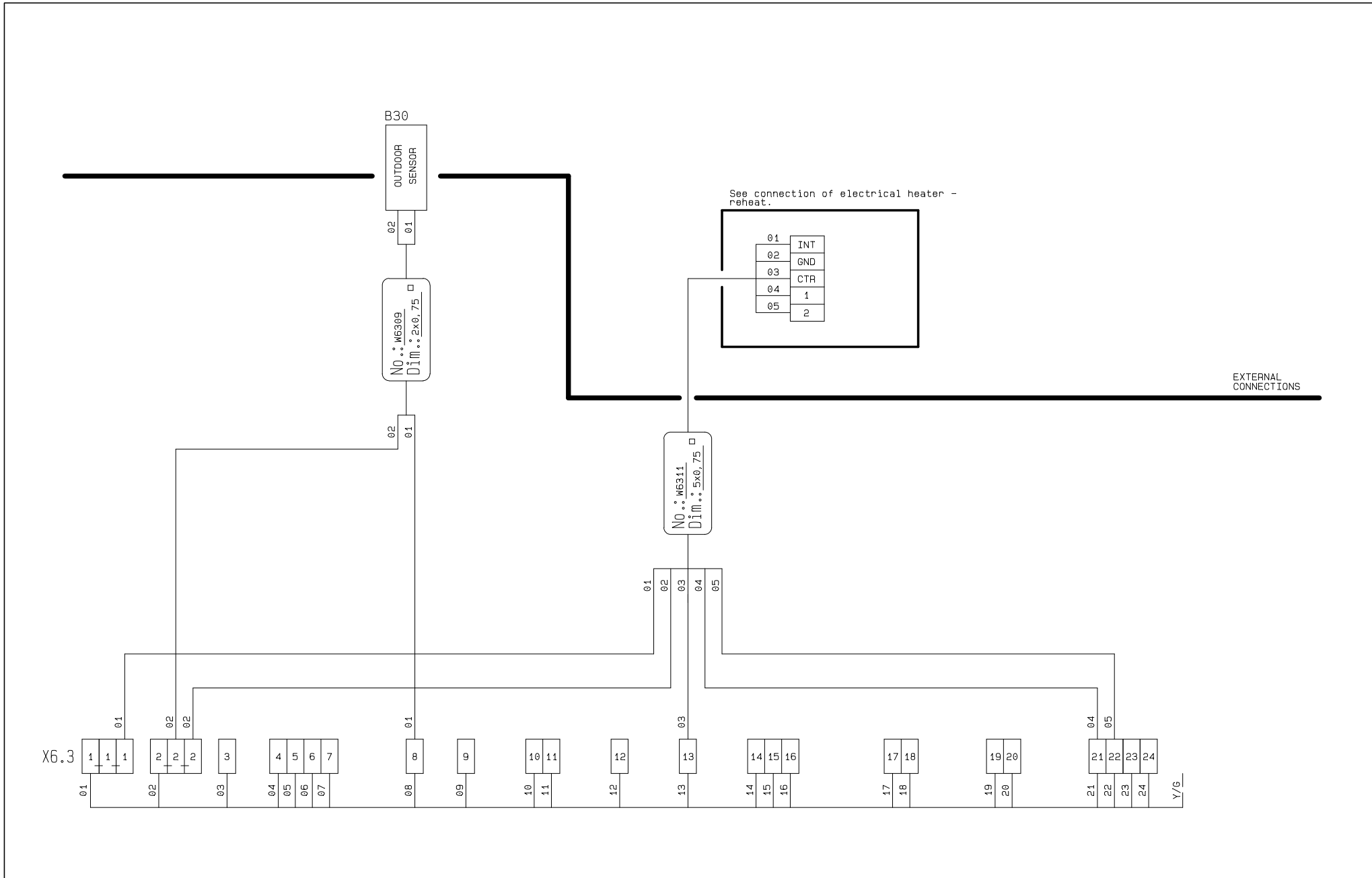


E76

A/S Dantherm Jagstrupvej 4, DK - 7800 Skive Tel. +45 97 52 41 44 Fax. +45 97 52 61 34	Customer: A/S DANTHERM	Customer ref.:	Revision:	Dantherm no.:
	Item: OPTION - PREHEAT (LPHW OR ELECTRICAL)	Project title: VentC 2/4	Printed: 02-06-2005	905305
Designer:		Changed: 02-06-2005		Page: 24 of 37

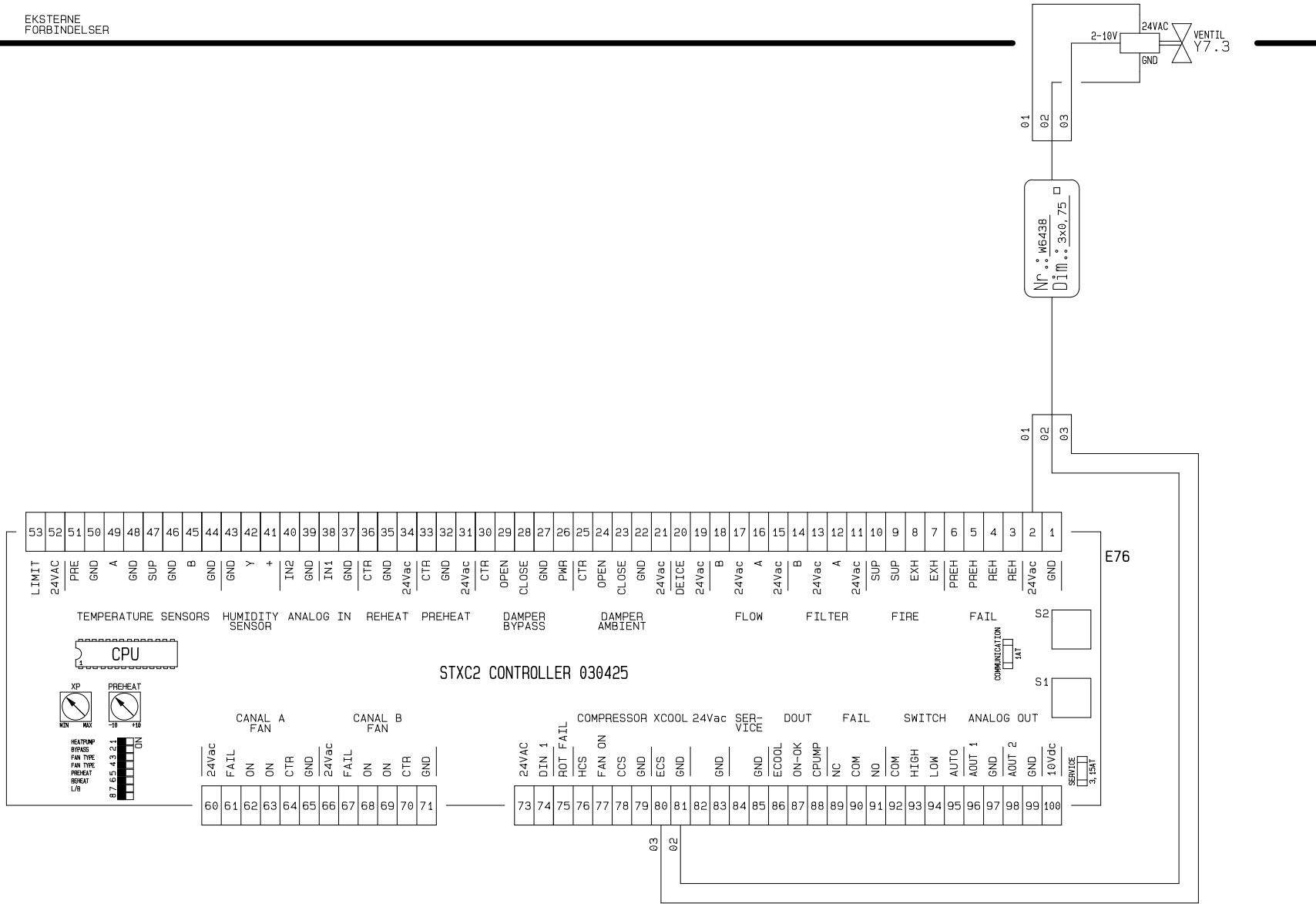


A/S Dantherm Jagstrupvej 4, DK - 7800 Skive Tel. +45 97 52 41 44 Fax. +45 97 52 61 34	Customer: A/S DANTHERM	Customer ref.:	Revision:	Dantherm no.:
	Item: OPTION - PREHEAT (LPHW)		Page revision:	905305
	Project title: VentC 2/4		Printed:	02-06-2005
	Designer:		Changed:	09-11-2001
				Page: 25 of 37



A/S Dantherm Jagstrupvej 4, DK - 7800 Skive Tel. +45 97 52 41 44 Fax. +45 97 52 61 34	Customer: A/S DANTHERM	Customer ref.:	Revision:	Dantherm no.:
	Item: OPTION - PREHEAT (ELECTRICAL)		Page revision:	905305
	Project title: VentC 2/4		Printed: 02-06-2005	
	Designer:		Changed: 09-11-2001	Page: 26 of 37

EKSTERNE
FORBINDELSER



A/S Dantherm

Jagtstrupvej 4, DK - 7800 Skive
Tel. +45 97 52 41 44
Fax. +45 97 52 61 34

Customer: A/S DANTHERM
Item: OPTION - DX COIL (BASED ON WATER)
Project title: VentC 2/4
Designer:

Customer ref.:

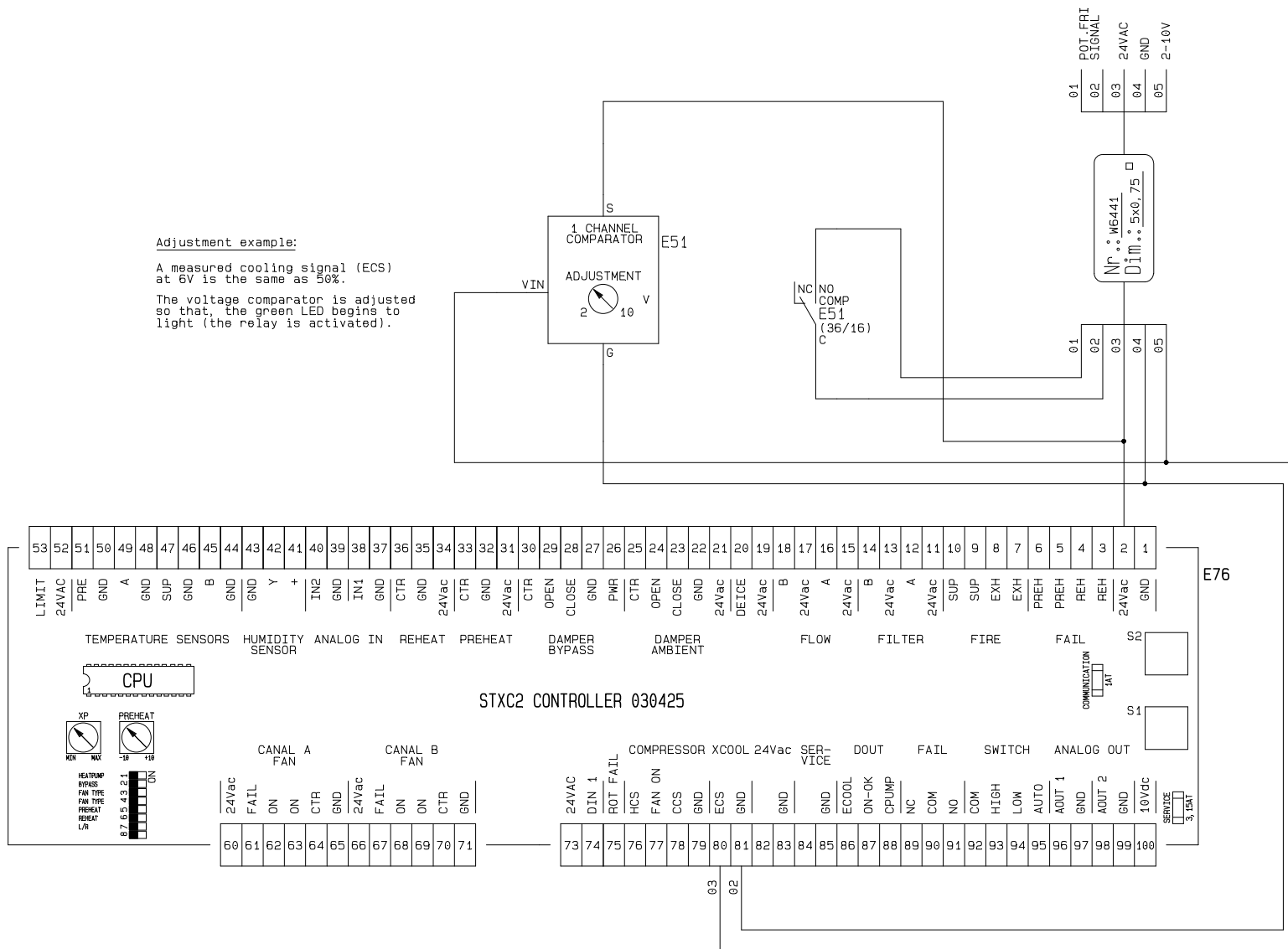
Revision:
Page revision:
Printed: 02-06-2005
Changed: 02-06-2005

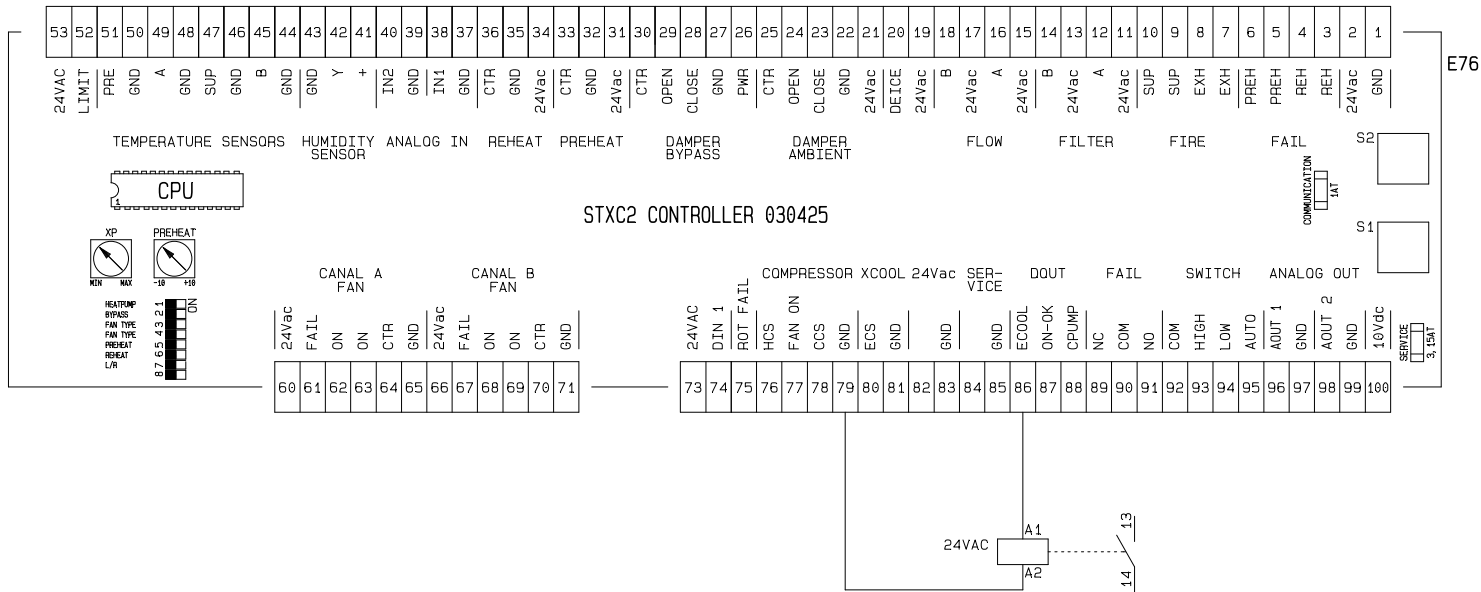
Dantherm no.:
905305
Page: 27 of 37

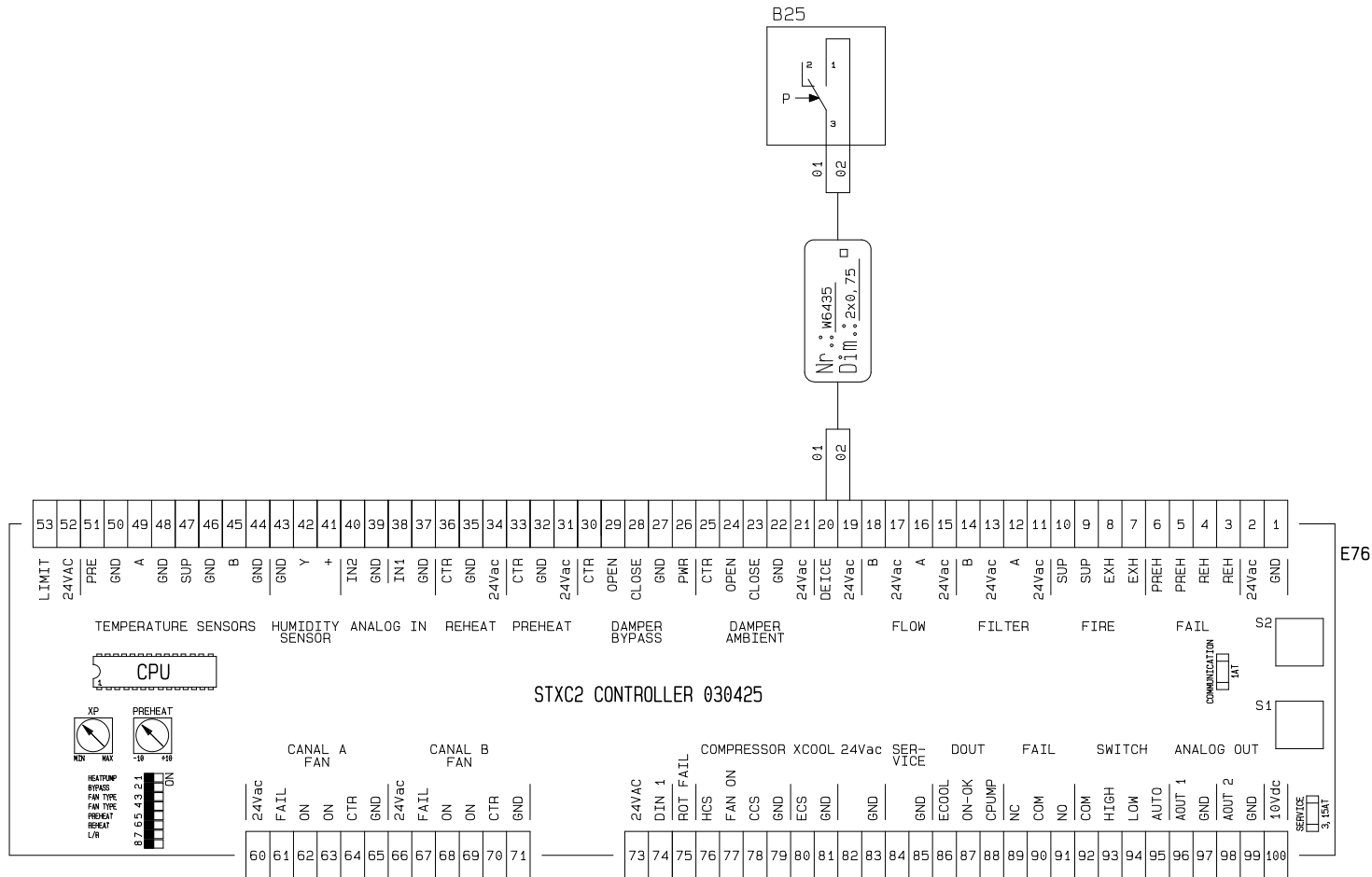
Adjustment example:

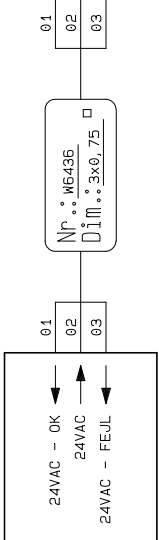
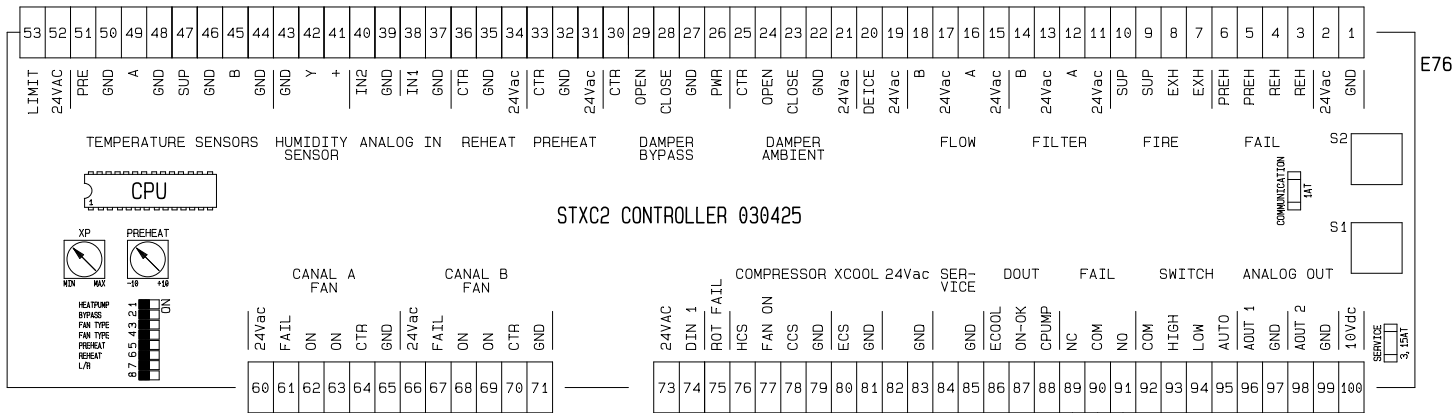
A measured cooling signal (ECS) at 6V is the same as 50%.

The voltage comparator is adjusted so that, the green LED begins to light (the relay is activated).





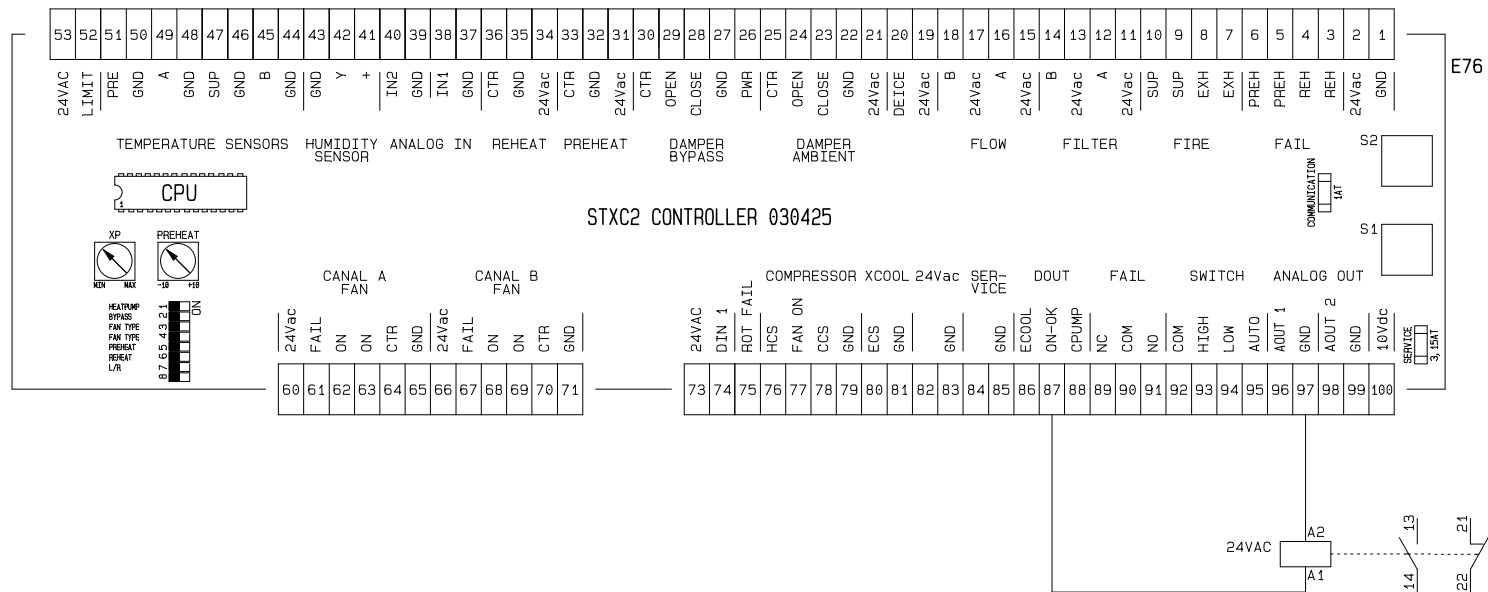




24VAC - OK:
Spænding på anlægget.
Ingen fejl.

24VAC - FEJL:
Fejl på anlægget.
Alle fejl.

A/S Dantherm Jagstrupvej 4, DK - 7800 Skive Tel. +45 97 52 41 44 Fax. +45 97 52 61 34	Customer: A/S DANTHERM	Customer ref.:	Revision:	Dantherm no.:
	Item: OPTION - RUN/FAULT VOLTFREE SIGNAL	Project title: VentC 2/4	Designer:	Page revision:
			Printed: 02-06-2005	
			Changed: 02-06-2005	Page: 31 of 37



Example on connecting the communication module STIO.

DIGITAL OUTPUTS:

- D01: Unit runs in AUTO (STCU).
- D02: Unit runs in manual mode.
Function switch, STIO or STCU.
- D03: Common non-critical failure (filter dirty).
- D04: Common critical failure (frost, fire,
fan failure or flow failure).
- D05: Heat on (Reheat).
- D06: Heat wheel failure.
- D07: AUX.

ANALOGUE OUTPUTS:

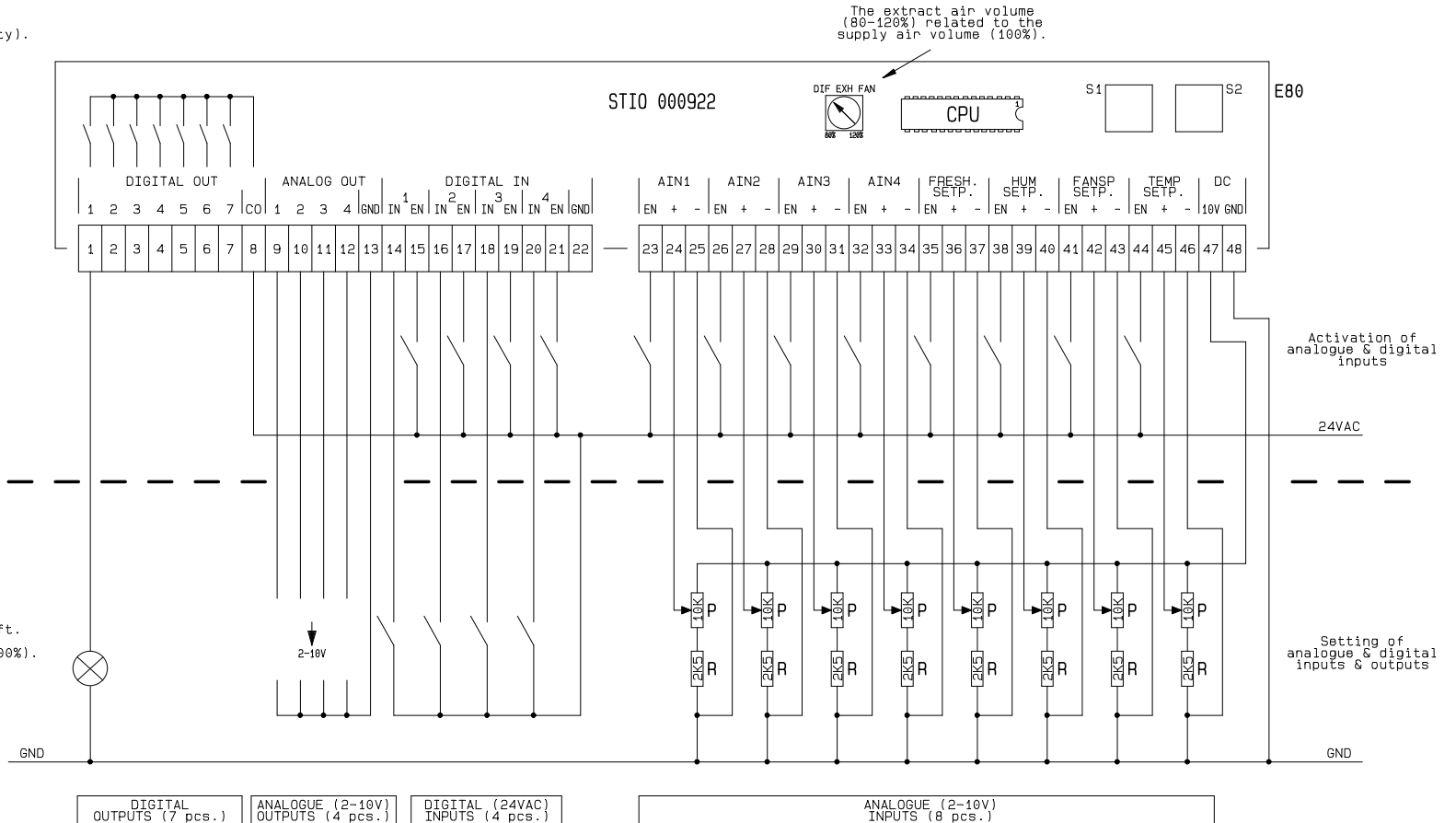
- A01: Return air temperature (2-10V 10-50°C).
- A02: Supply air temperature (2-10V 10-50°C).
- A03: Air volume supply (2-10V 0-2000Pa).
- A04: Analogue input 1 on STXC2 circuit board:
CO₂ pressure in duct or potentiometer
(2-10V 0-100%).

DIGITAL INPUTS:

- DI1: Cooling at summer nights ON.
- DI2: AUX.
- DI3: AUX.
- DI4: Cooling ON.

ANALOGUE INPUTS:

- AI1: AUX1 (2-10V).
- AI2: Minimum supply temperature
(2-10V 15-35°C).
- AI3: External override set point
for fans or set point for
analogue input 1 on STXC2 circuit board
(2-10V 0-100%).
- AI4: Temperature control type (2-10V).
2V = Return air temperature control.
5V = Supply air temperature control.
10V = Automatic temperature control shift.
- AI5: Set point for mixing section (2-10V 0-100%).
- AI6: Humidity set point (2-10V 40-70%RH).
- AI7: Fan set point (2-10V 0-830).
- AI8: Temperature set point (2-10V 10-50°C).



A/S Dantherm

Jægstрупvej 4, DK - 7800 Skive
Tel. +45 97 52 41 44
Fax. +45 97 52 61 34

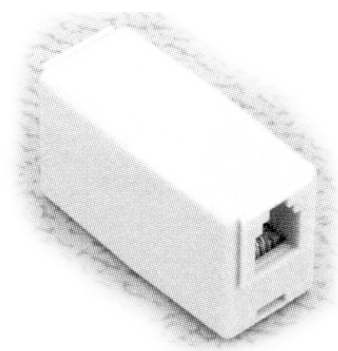
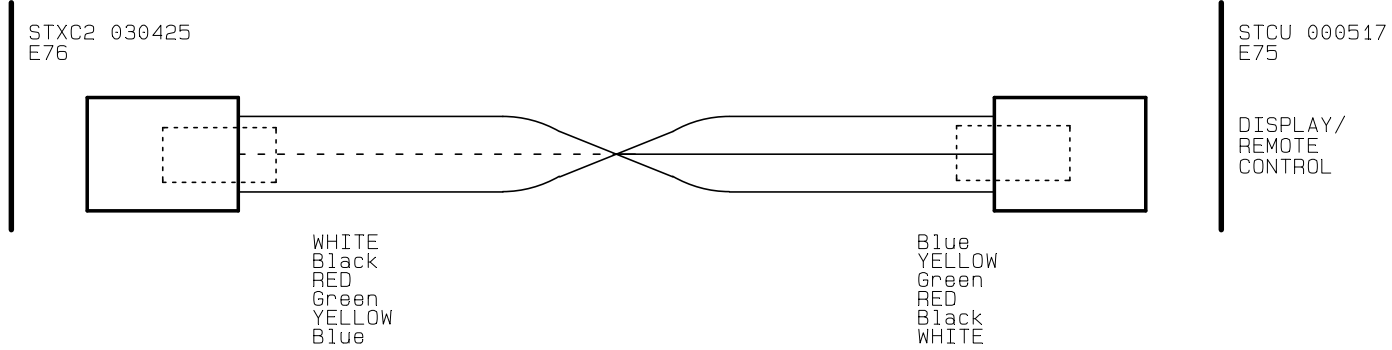
Customer: A/S DANTHERM
Item: OPTION - COMMUNICATION MODULE STIO
Project title: Ventc 2/4
Designer:

Customer ref.:

Revision:
Page revision:
Printed: 02-06-2005
Changed: 02-06-2005

Dantherm no.:
905305
Page: 33 of 37

Connecting cable between STXC2 & STCU



Modular adapter used for lengthening the existing 10m cable between STCU and the control circuit board STXC2 with extra 25m cable (Option).

Components:

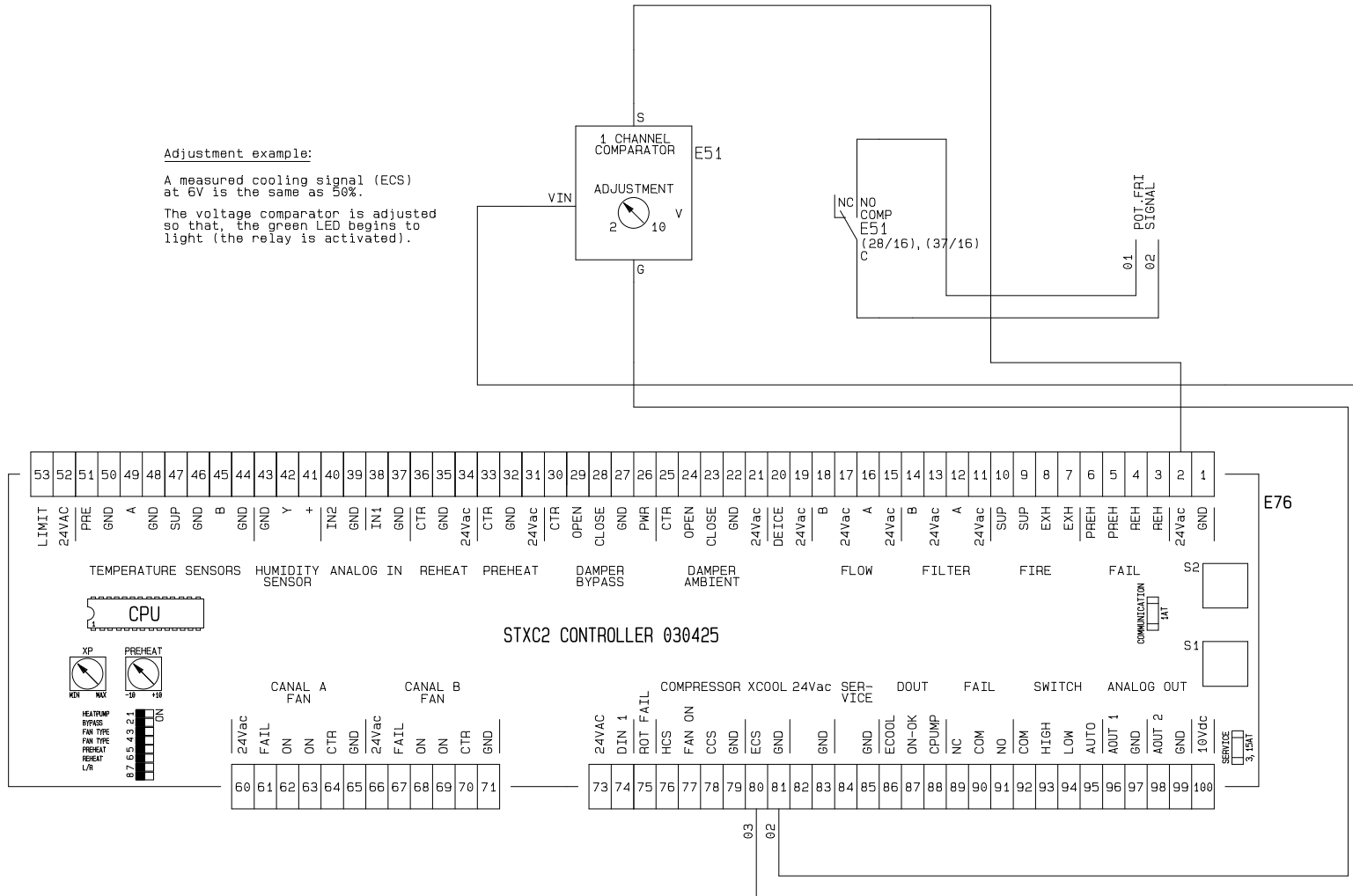
- AARHUS RADIO LAGER A/S
A.R.L. TRADING A/S
- 021029
C606 6 ledet tlf. kabel, hvid
 - 008775
TZB 402 6/6 AMK. tlf. stik
S030089 RJ 12
 - 010912
TZB 811 crimplang 6/6 tlf.
S045768

Customer: A/S DANTHERM	Customer ref.:	Revision:	Dantherm no.:
Item: CONNECTING CABLE		Page revision:	905305
Project title: VentC 2/4		Printed: 02-06-2005	
Designer:		Changed: 17-03-2004	Page: 35 of 37

Adjustment example:

A measured cooling signal (ECS) at 6V is the same as 50%.

The voltage comparator is adjusted so that, the green LED begins to light (the relay is activated).



A/S Dantherm

Jægstрупvej 4, DK - 7800 Skive
Tel. +45 97 52 41 44
Fax. +45 97 52 61 34

Customer: A/S DANTHERM

Item: OPTION : START SIGNAL TO PUMP FOR WATERCOOLING COIL

Project title: Ventc 2/4

Designer:

Customer ref.:

Revision:

Page revision:

Printed: 02-06-2005

Changed: 02-06-2005

Dantherm no.:

905305

Page: 36 of 37

